

TOP MULTI-AD

Submersible multi-stage pumps designed to pump AdBlue®



PERFORMANCE RANGE

- Flow rate up to **70 l/min** (4.2 m³/h)
- Head up to **27 m**

APPLICATION LIMITS

- **3 metres** maximum immersion depth (with a sufficiently long power cable)
- Maximum liquid temperature **+40 °C**
- Suction down to **25 mm** above ground level
- Continuous service **S1**

CONSTRUCTION AND SAFETY STANDARDS

The pump is complete with:

- **5 metres** long power cable with H07BN4-F coating
- complete connector with flap-check valve

EN 60335-1
IEC 60335-1
CEI 61-150

EN 60034-1
IEC 60034-1
CEI 2-3



CERTIFICATIONS

Company with management system certified DNV
ISO 9001: QUALITY



INSTALLATION AND USE

Multistage submersible pumps **TOP MULTI 1-AD** are designed to pump clean liquid, which is defined according to standard ISO 22241 as AUS 32 (Aqueous Urea Solution 32.5%).

This liquid is equivalent to other commercial trademarks known as:

- **AdBlue®** (trademark registered by Verband der Automobilindustrie VDA);
- **DEF** (Diesel Exhaust Fluid);
- **Arla 32** (Agente Redutor Liquido de Óxido de Nitrogênio Automotivo).

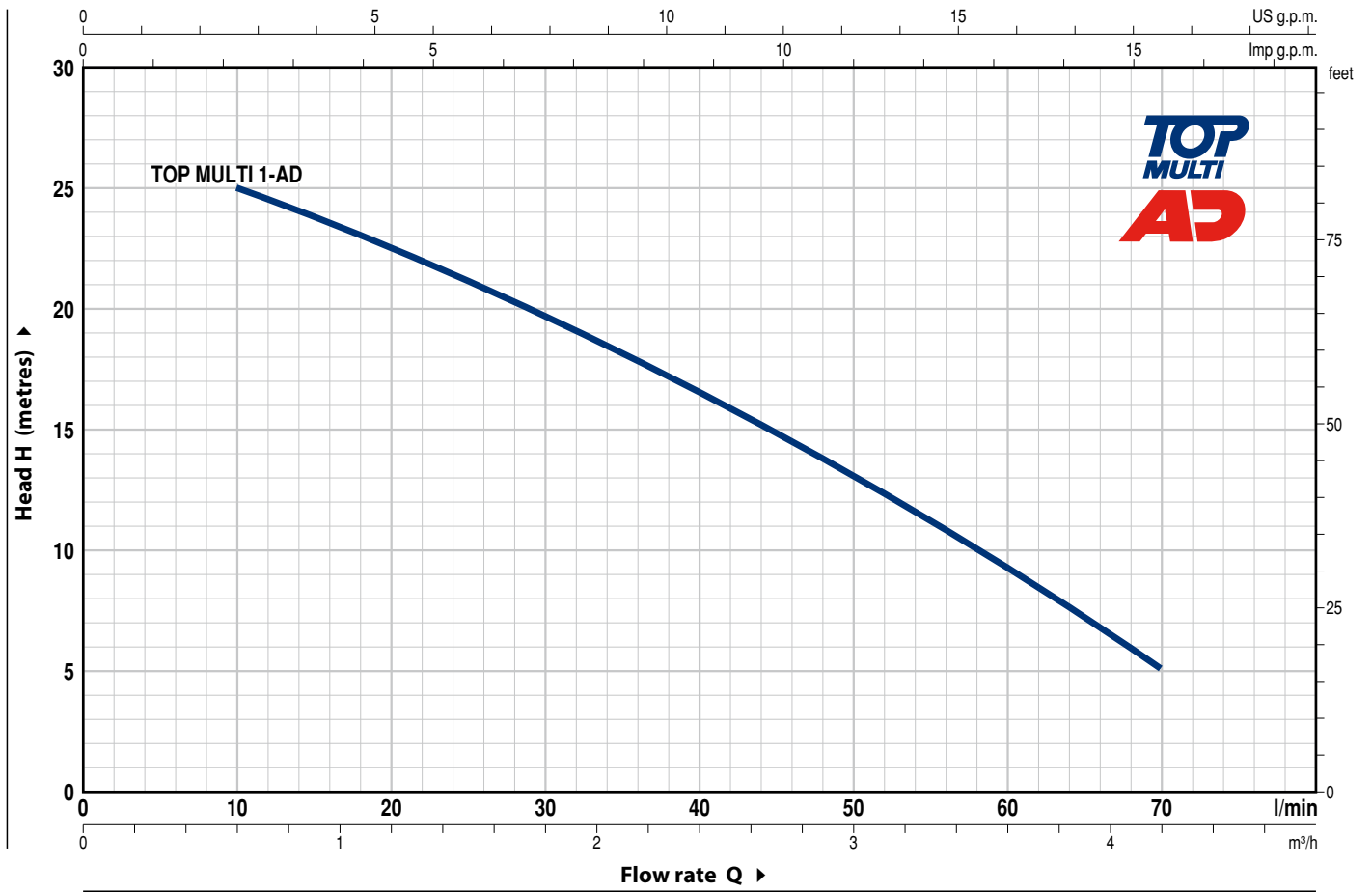
Multistage submersible pumps **TOP MULTI-AD** are designed using materials compliant to this liquid; their use is subjected to local laws and directives.

OPTIONS AVAILABLE ON REQUEST

- Other voltages or 60 Hz frequency

CHARACTERISTIC CURVES AND PERFORMANCE DATA

50 Hz n= 2900 min⁻¹



MODEL	POWER (P ₂)		Q	0	0.6	1.2	1.8	2.4	3.0	3.6	4.2
	kW	HP		0	10	20	30	40	50	60	70
Single-phase											
TOP MULTI 1-AD	0.37	0.50	H metres	27	25	22.5	19.5	16.5	13	9	5

Q = Flow rate H = Total manometric head

Tolerance of characteristic curves in compliance with EN ISO 9906 Grade 3B.

TOP MULTI-AD

POS. COMPONENT

CONSTRUCTION CHARACTERISTICS

1	DELIVERY BODY	Glass fibre reinforced technopolymer complete with threaded delivery port in compliance with ISO 228/1				
2	SUCTION FILTER	Glass fibre reinforced technopolymer				
3	STAGE CASING	Glass fibre reinforced technopolymer				
4	IMPELLER	Noryl FE1520PW				
5	DIFFUSER	Noryl FE1520PW complete with anti-wear ring				
6	VANE DIFFUSER	Glass fibre reinforced technopolymer				
7	MOTOR CASING	Stainless steel AISI 304				
8	MOTOR CASING PLATE	Stainless steel AISI 304				
9	MOTOR SHAFT	Stainless steel AISI 431				
10	SHAFT WITH DOUBLE SEAL					
	<i>Seal</i>	<i>Shaft</i>	<i>Materials</i>			
	<i>Model</i>	<i>Diameter</i>	<i>Stationary ring</i>	<i>Rotational ring</i>	<i>Elastomer</i>	<i>Metals</i>
	STA-12R SGE	Ø 12 mm	Silicon carbide	Graphite	EPDM	AISI 304
11	LIP SEAL	Ø 12 x Ø 19 x H 5 mm				
12	BEARINGS	6201 ZZ - C3E / 6201 ZZ - C3E				

13 CAPACITOR

Capacitance

(220-230 V or 240 V)

10 µF 450 VL

14 ELECTRIC MOTOR

TOP MULTI 1-AD: single-phase 220-230 V - 50 Hz with thermal overload protector incorporated into the winding.

- Insulation: class F
- Protection: IP X8

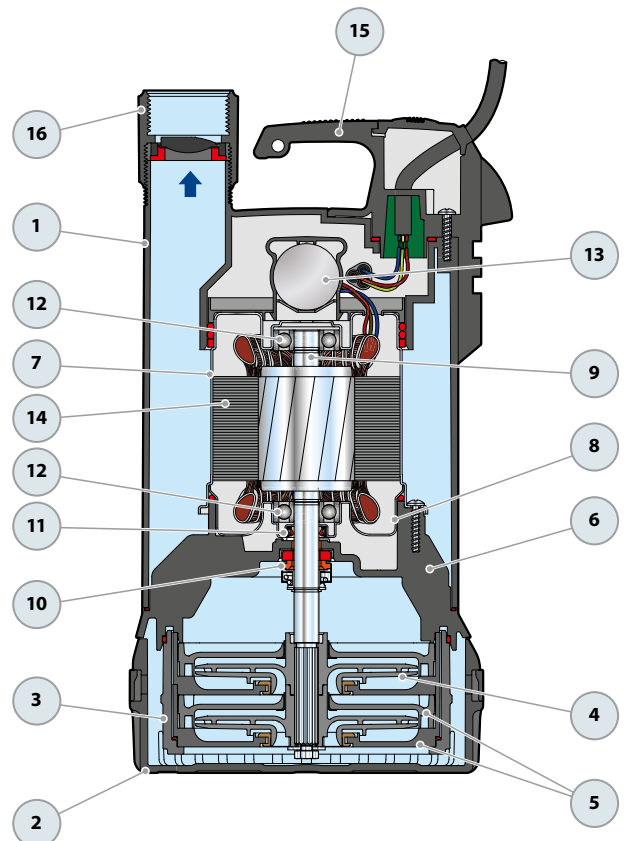
15 HANDLE ASSEMBLY (resin sealed)

Complete with **5 metres** long "H07BN4-F" power cable

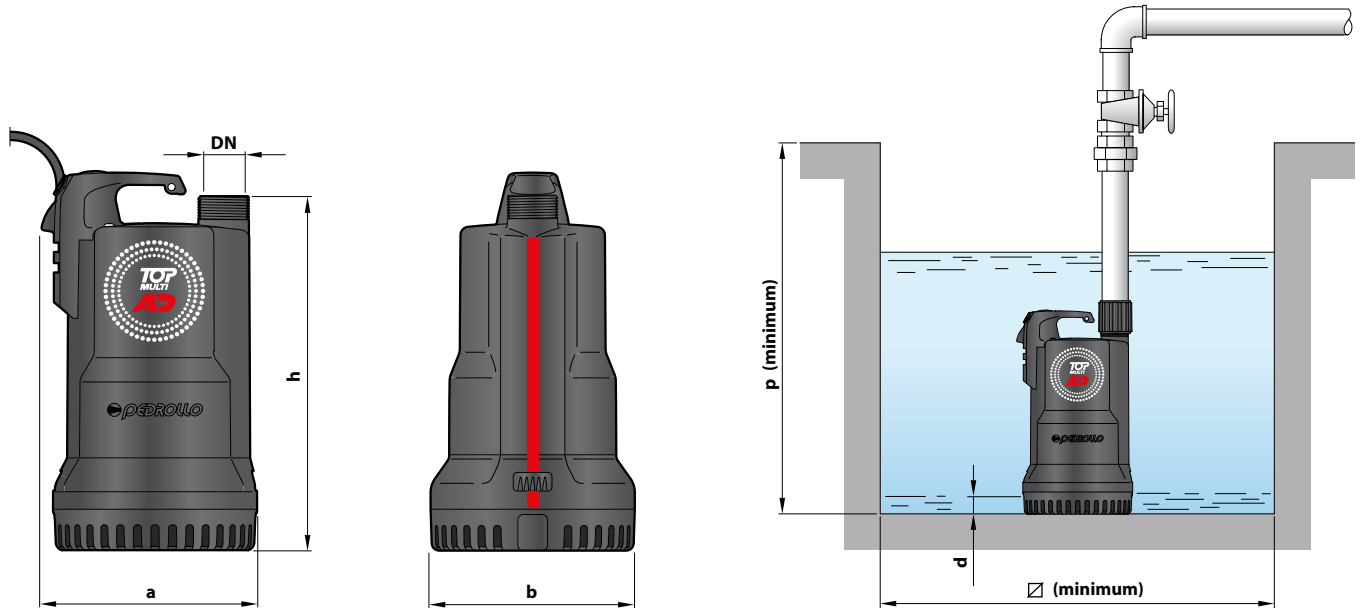
16 PIPE COUPLING

Threaded 1¼" in compliance with ISO 228/1, complete with flap-check valve

(Included in the equipment)



DIMENSIONS AND WEIGHT



MODEL	PORT DN	N. STAGES	DIMENSIONS mm					kg
			a	b	h	d	∅	
Single-phase	DN							
TOP MULTI 1-AD	1¼"	2	177	170	295	25	220	5.8

ABSORPTION

MODEL	VOLTAGE	
	Single-phase	230 V
TOP MULTI 1-AD	2.0 A	1.9 A

PALLETIZATION

MODEL	GROUPAGE	CONTAINER
Single-phase	n. pumps	n. pumps
TOP MULTI 1-AD	60	120