

 Domestic use

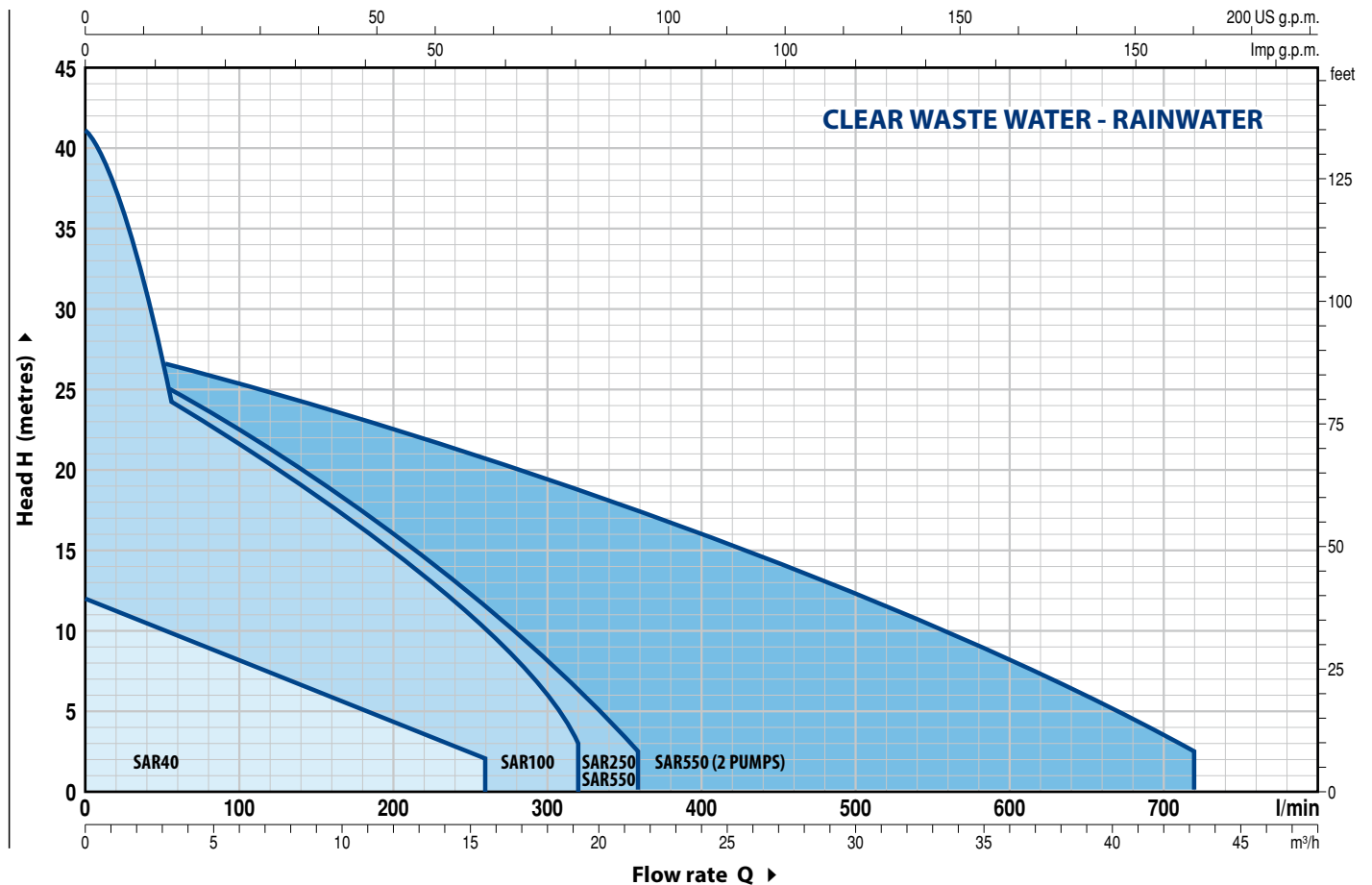
 Agricultural use

 Civil use



### PERFORMANCE RANGE

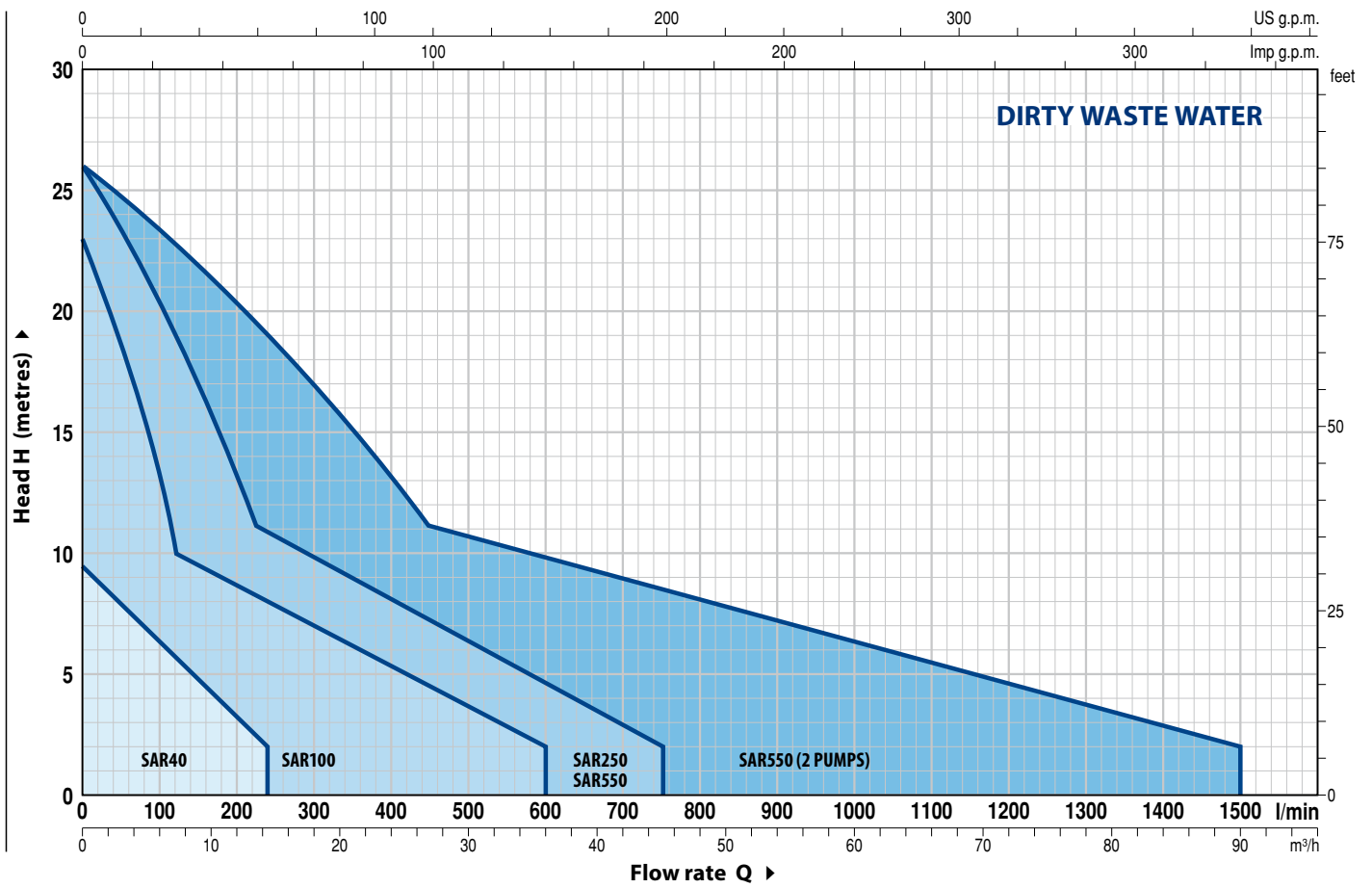
50 Hz n= 2900 min<sup>-1</sup>





**PERFORMANCE RANGE**

50 Hz n= 2900 min<sup>-1</sup>



## CLEAR WASTE WATER - RAINWATER

MODEL	POWER (P <sub>2</sub> )		TANK CAPACITY litres	MAXIMUM FLOW RATE litres/min	MAXIMUM HEAD metres
	kW	HP			
<b>SAR 40-TOP 1</b>	0.25	0.33	<b>40</b>	160	6
<b>SAR 40-TOP 2</b>	0.37	0.50	<b>40</b>	220	8
<b>SAR 40-TOP 3</b>	0.55	0.75	<b>40</b>	260	10
<b>SAR 40-RXm 1</b>	0.25	0.33	<b>40</b>	160	6.5
<b>SAR 40-RXm 2</b>	0.37	0.50	<b>40</b>	220	9.5
<b>SAR 40-RXm 3</b>	0.55	0.75	<b>40</b>	220	11.5



## DIRTY WASTE WATER

MODEL	POWER (P <sub>2</sub> )		TANK CAPACITY litres	MAXIMUM FLOW RATE litres/min	MAXIMUM HEAD metres
	kW	HP			
<b>SAR 40 - TOP 2-VORTEX</b>	0.37	0.50	<b>40</b>	180	6.5
<b>SAR 40-TEX 2</b>	0.37	0.50	<b>40</b>	200	7.5
<b>SAR 40-TEX 3</b>	0.55	0.75	<b>40</b>	240	9.5
<b>SAR 40 - RXm2/20</b>	0.37	0.50	<b>40</b>	180	6.5

### COMPONENTI

- **40 litres** polyethylene tank with cover plate
- Pump complete with float switch
- Power cable: supplied with standard 5 metres cable with Schuko plug (EN 60335-2-41 standard states that the power cable must be 10 metres long for outside use)
- Non-return valve
- Accumulation stations with inlet tube 1½" gas, outlet 1¼" gas and vent ½" gas

## CLEAR WASTE WATER - RAINWATER



MODEL	POWER (P <sub>2</sub> )		TANK CAPACITY litres	MAXIMUM FLOW RATE litres/min	MAXIMUM HEAD metres
	kW	HP			
SAR 100 - TOP 2	0.37	0.50	100	220	8
SAR 100 - TOP 3	0.55	0.75	100	260	10
SAR 100 - TOP 4	0.75	1	100	320	12.5
SAR 100 - TOP MULTI 1	0.37	0.50	100	70	25
SAR 100 - TOP MULTI 2	0.55	0.75	100	80	40
SAR 100 - TOP MULTI 3	0.55	0.75	100	120	32
SAR 100 - RXm 2	0.37	0.50	100	220	9.5
SAR 100 - RXm 3	0.55	0.75	100	220	11.5
SAR 100 - Dm 10	0.75	1	100	300	15.5
SAR 100 - Dm 20	0.75	1	100	250	19
SAR 100 - Dm 30	1.1	1.5	100	275	26

## DIRTY WASTE WATER

MODEL	POWER (P <sub>2</sub> )		TANK CAPACITY litres	MAXIMUM FLOW RATE litres/min	MAXIMUM HEAD metres
	kW	HP			
SAR 100-TOP 2-VORTEX	0.37	0.50	100	180	6.5
SAR 100-TOP 3-VORTEX	0.55	0.75	100	180	8
SAR 100-RXm 2/20	0.37	0.50	100	180	6.5
SAR 100-RXm 3/20	0.55	0.75	100	180	8
SAR 100-ZXm 1A/40	0.60	0.85	100	400	10.5
SAR 100-VXm 8/35	0.55	0.75	100	350	8
SAR 100-VXm 10/35	0.75	1	100	400	10
SAR 100-VXm 8/50	0.55	0.75	100	450	6
SAR 100-VXm 10/50	0.75	1	100	550	8.5
SAR 100-BCm 10/50	0.75	1	100	600	11
SAR 100-TRm 0.75	0.75	1	100	120	15.5
SAR 100-TRm 1.1	1.1	1.5	100	120	22

## COMPONENTS

- 100 litres polyethylene tank with cover plate
- Pump complete with float switch
- Power cable: supplied with standard 10 metres cable with Schuko plug
- Control box (only for SAR 100-TR)
- Accumulation stations with inlet tube Ø 110 mm, outlet 1¼" or 1½" or 2" gas and vent Ø 50 mm

## CLEAR WASTE WATER - RAINWATER

MODEL	POWER (P <sub>2</sub> )		TANK CAPACITY litres	MAXIMUM FLOW RATE litres/min	MAXIMUM HEAD metres
	kW	HP			
SAR 250 - TOP 3	0.55	0.75	250	260	10
SAR 250 - TOP 4	0.75	1	250	320	12.5
SAR 250 - TOP 5	0.92	1.25	250	360	15
SAR 250 - RXm 3	0.55	0.75	250	220	11.5
SAR 250 - RXm 4	0.75	1	250	260	15
SAR 250 - RXm 5	1.1	1.5	250	300	19.5
SAR 250 - Dm 10	0.75	1	250	300	15.5
SAR 250 - Dm 20	0.75	1	250	250	19
SAR 250 - Dm 30	1.1	1.5	250	275	26



## DIRTY WASTE WATER

MODEL	POWER (P <sub>2</sub> )		TANK CAPACITY litres	MAXIMUM FLOW RATE litres/min	MAXIMUM HEAD metres
	kW	HP			
SAR 250-TOP 2-VORTEX	0.37	0.50	250	180	6.5
SAR 250-TOP 3-VORTEX	0.55	0.75	250	180	8
SAR 250-RXm 3/20	0.55	0.75	250	180	8
SAR 250-RXm 4/40	0.75	1	250	280	9.5
SAR 250-RXm 5/40	1.1	1.5	250	380	12.5
SAR 250-VXm10/35-ST	0.75	1	250	400	10.5
SAR 250-VXm10/50-ST	0.75	1	250	550	9.5
SAR 250-BCm10/50-ST	0.75	1	250	600	11
SAR 250-VXm 10/35	0.75	1	250	400	10
SAR 250-VXm 15/35	1.1	1.5	250	500	13.5
SAR 250-VXm 10/50	0.75	1	250	550	8.5
SAR 250-VXm 15/50	1.1	1.5	250	650	11
SAR 250-BCm 10/50	0.75	1	250	600	11
SAR 250-BCm 15/50	1.1	1.5	250	750	14
SAR 250-TRm 0.75	0.75	1	250	120	15.5
SAR 250-TRm 1.1	1.1	1.5	250	120	22
SAR 250-TRm 1.5	1.5	2	250	260	25

## COMPONENTS

- **250 litres** polyethylene tank with cover plate
- Pump complete with float switch
- Power cable: supplied with standard 10 metres cable with Schuko plug
- Control box (only for SAR 250-TR)
- Accumulation stations with **inlet tube** Ø 110 mm, **outlet** 1¼" or 1½" or 2" gas and **vent** DN 50 or DN 75
- Coupling support and guide tubes for lowering of pump (only for VX-ST and BC-ST)

## OPTIONS AVAILABLE ON REQUEST

- **Alarm KIT** (Cod. KSKIT-ALLARME)  
Kit includes: control box, self-powered siren, float
- **300 mm extension kit** (Cod. KSKIT-308MA)  
Kit includes: extension kit for the installation of the polyethylene "SAR" tank at greater depths
- **"SAR" stations with ball check valves and ball valve in the discharge pipe**

## CLEAR WASTE WATER - RAINWATER

MODEL	POWER (P <sub>2</sub> )		TANK CAPACITY litres	MAXIMUM FLOW RATE (1 pump) litres/min	MAXIMUM HEAD metres
	kW	HP			
<b>SAR 550-TOP 4</b>	0.75	1	<b>550</b>	320	12.5
<b>SAR 550-TOP 5</b>	0.92	1.25	<b>550</b>	360	15
<b>SAR 550-RXm 4</b>	0.75	1	<b>550</b>	260	15
<b>SAR 550-RXm 5</b>	1.1	1.5	<b>550</b>	300	19.5
<b>SAR 550-Dm 10</b>	0.75	1	<b>550</b>	300	15.5
<b>SAR 550-Dm 20</b>	0.75	1	<b>550</b>	250	19
<b>SAR 550-Dm 30</b>	1.1	1.5	<b>550</b>	275	26



## DIRTY WASTE WATER

MODEL	POWER (P <sub>2</sub> )		TANK CAPACITY litres	MAXIMUM FLOW RATE (1 pump) litres/min	MAXIMUM HEAD metres
	kW	HP			
<b>SAR 550-RXm 4/40</b>	0.75	1	550	280	9.5
<b>SAR 550-RXm 5/40</b>	1.1	1.5	550	380	12.5
<b>SAR 550-VXm 10/35-ST</b>	0.75	1	550	400	10.5
<b>SAR 550-VXm 10/50-ST</b>	0.75	1	550	550	9.5
<b>SAR 550-BCm10/50-ST</b>	0.75	1	550	600	11
<b>SAR 550-VXm 10/35</b>	0.75	1	550	400	10
<b>SAR 550-VXm 15/35</b>	1.1	1.5	550	500	13.5
<b>SAR 550-VXm 10/50</b>	0.75	1	550	550	8.5
<b>SAR 550-VXm 15/50</b>	1.1	1.5	550	650	11
<b>SAR 550-VX 15/50 (*)</b>	1.1	1.5	550	650	11
<b>SAR 550-BCm 10/50</b>	0.75	1	550	600	11
<b>SAR 550-BCm 15/50</b>	1.1	1.5	550	750	14
<b>SAR 550-BC 15/50 (*)</b>	1.1	1.5	550	750	14
<b>SAR 550-TRm 0.75</b>	0.75	1	550	120	15.5
<b>SAR 550-TRm 1.1</b>	1.1	1.5	550	120	22
<b>SAR 550-TR 1.1 (*)</b>	1.1	1.5	550	120	22
<b>SAR 550-TRm 1.5</b>	1.5	2	550	260	25

## COMPONENTS

- **550 litre** polyethylene tank with two lids
- Two single-phase pumps (\* Two three-phase pumps)
- Power cable: supplied with standard 10 metres cable
- Control box
- Three floats for: 1) alternating switch-on of one of the two pumps, 2) maximum level with switch-on of second pump, 3) minimum level with switch-off of pumps
- Accumulation stations with two inlet tubes Ø 110 mm, outlet 1¼" or 1½" or 2" gas and vent DN 50 or DN 75
- Coupling support and guide tubes for lowering of pump (only for VX-ST and BC-ST)

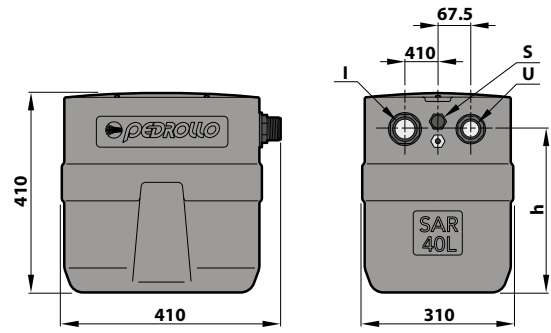
## OPTIONS AVAILABLE ON REQUEST

- **Alarm KIT** (Cod. KSKIT-ALLARME)  
Kit includes: control box, self-powered siren, float
- **300 mm extension kit** (Cod. KSKIT-308MA)  
Kit includes: extension kit for the installation of the polyethylene "SAR" tank at greater depths  
**ATTENTION: the tank is fitted with two lids**
- **"SAR" stations with ball check valves and ball valve in the discharge pipe**

## DIMENSIONS AND WEIGHT

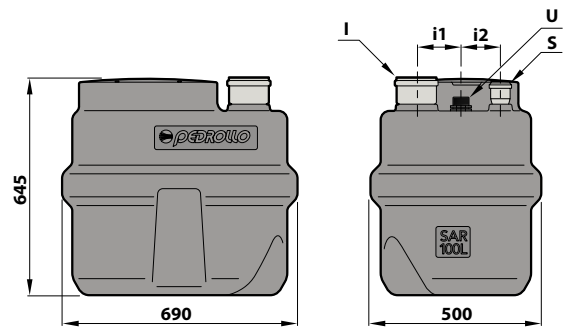
MODEL	PORTS			h	kg
	I	U <sup>(1)</sup>	S		
SAR 40-TOP 1	1½"	1¼"	½"	305	14.0
SAR 40-TOP 2					14.7
SAR 40-TOP 3				335	16.1
SAR 40-RXm 1				305	14.2
SAR 40-RXm 2					15.3
SAR 40-RXm 3				335	16.9
SAR 40-TOP 2-VORTEX					14.6
SAR 40-TEX 2					-
SAR 40-TEX 3					-
SAR 40-RXm 2/20					15.6

<sup>(1)</sup> Male threaded fitting



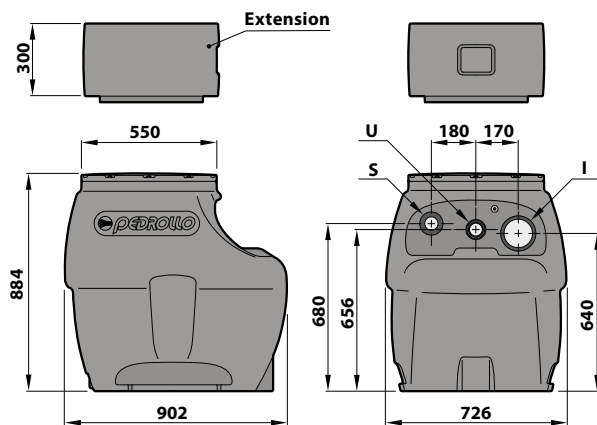
MODEL	PORTS			i1	i2	kg
	I	U <sup>(1)</sup>	S			
SAR 100-TOP 2	DN 110	1¼"	DN 50	145	100	28.7
SAR 100-TOP 3						30.1
SAR 100-TOP 4		1½"				33.7
SAR 100-TOP MULTI 1		1¼"				30.3
SAR 100-TOP MULTI 2						32.9
SAR 100-TOP MULTI 3						32.9
SAR 100-RXm 2		1½"				29.3
SAR 100-RXm 3						29.6
SAR 100-Dm 10						36.6
SAR 100-Dm 20		1½"				36.6
SAR 100-Dm 30				38.6		
SAR 100-TOP 2-VORTEX		1¼"		28.7		
SAR 100-TOP 3-VORTEX				30.1		
SAR 100-RXm 2/20		1½"		29.6		
SAR 100-RXm 3/20				29.8		
SAR 100-ZXm 1A/40		1½"		130	115	35.2
SAR 100-VXm 8/35				36.4		
SAR 100-VXm 10/35		2"		37.2		
SAR 100-VXm 8/50				36.9		
SAR 100-VXm 10/50				37.7		
SAR 100-BCm 10/50	1¼"	38.4				
SAR 100-TRm 0.75		46.0				
SAR 100-TRm 1.1	47.6					

<sup>(1)</sup> Male threaded fitting

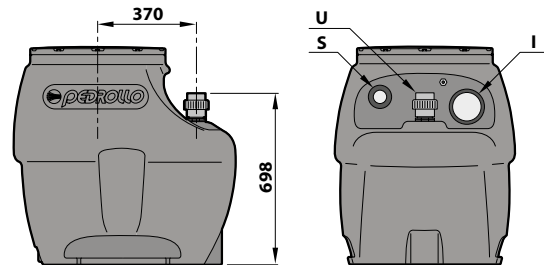


## DIMENSIONS AND WEIGHT

MODEL	PORTS			kg
	I	U <sup>(1)</sup>	S	
SAR 250-TOP 3	DN 110	1¼"	DN 50	42.6
SAR 250-TOP 4		1½"		46.2
SAR 250-TOP 5		1½"		46.2
SAR 250-RXm 3		1¼"		47.0
SAR 250-RXm 4		1½"		50.0
SAR 250-RXm 5				51.0
SAR 250-Dm 10				51.2
SAR 250-Dm 20				53.5
SAR 250-Dm 30				51.2
SAR 250-TOP 2-VORTEX		1¼"		44.0
SAR 250-TOP 3-VORTEX			46.0	
SAR 250-RXm 3/20			45.0	
SAR 250-RXm 4/40			53.0	
SAR 250-RXm 5/40			53.0	
SAR 250-VXm10/35-ST		2"	60.0	
SAR 250-VXm10/50-ST			60.0	
SAR 250-BCm10/50-ST		1½"	60.5	
SAR 250-VXm 10/35			53.0	
SAR 250-VXm 15/35			54.0	
SAR 250-VXm 10/50			53.0	
SAR 250-VXm 15/50	53.0			
SAR 250-BCm 10/50	2"	53.5		
SAR 250-BCm 15/50		55.0		
SAR 250-TRm 0.75	1¼"	DN 50	62.0	
SAR 250-TRm 1.1		64.0		
SAR 250-TRm 1.5		1½"	79.0	

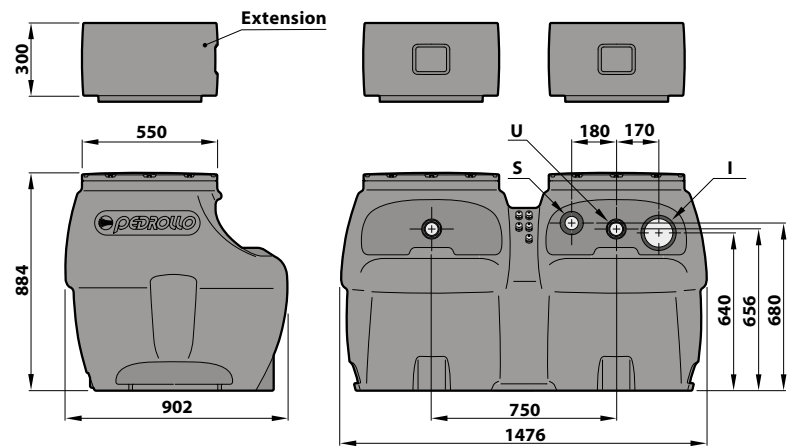


Only for VX-ST, BC-ST versions

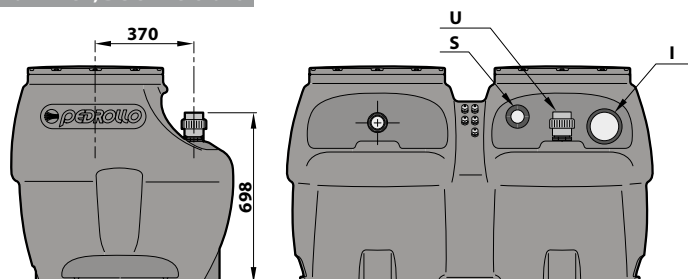


<sup>(1)</sup> Male threaded fitting (female for VX-ST and BC-ST)

MODEL	PORTS			kg
	I	U <sup>(1)</sup>	S	
SAR 550-TOP 4	DN 110	1½"	DN 50	96.0
SAR 550-TOP 5				95.2
SAR 550-RXm 4				103.0
SAR 550-RXm 5				105.0
SAR 550-Dm 10				101.2
SAR 550-Dm 20				101.2
SAR 550-Dm 30				105.7
SAR 550-RXm 4/40				105.0
SAR 550-RXm 5/40				106.0
SAR 550-VXm 10/35-ST				2"
SAR 550-VXm 10/50-ST		121.0		
SAR 550-BCm10/50-ST		1½"	122.0	
SAR 550-VXm 10/35			105.0	
SAR 550-VXm 15/35			106.0	
SAR 550-VXm 10/50			105.1	
SAR 550-VXm 15/50			108.0	
SAR 550-VX 15/50		2"	107.0	
SAR 550-BCm 10/50			109.0	
SAR 550-BCm 15/50		1¼"	108.0	
SAR 550-BC 15/50			106.0	
SAR 550-TRm 0.75	DN 50		135.0	
SAR 550-TRm 1.1			137.5	
SAR 550-TR 1.1			137.0	
SAR 550-TRm 1.5	1½"	182.0		



Only for VX-ST, BC-ST versions



<sup>(1)</sup> Male threaded fitting (female for VX-ST and BC-ST)