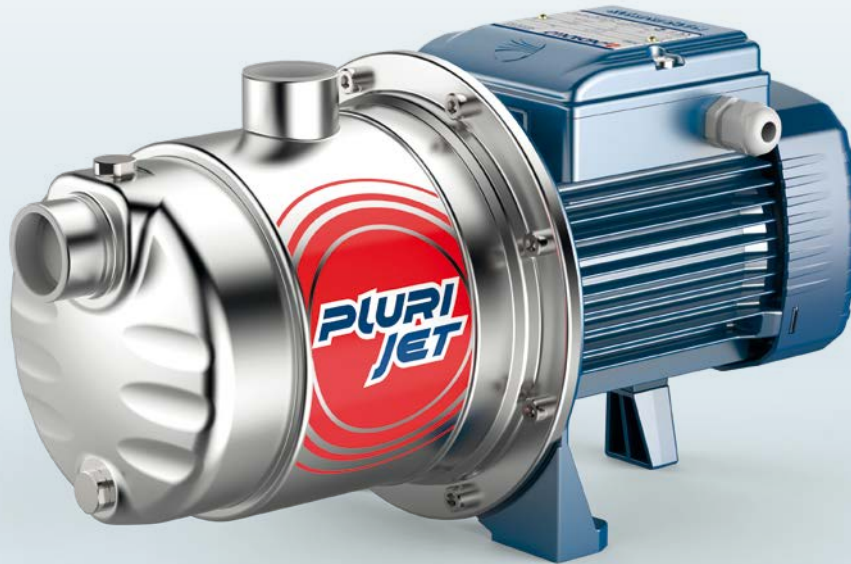


PLURIJET 60X-80X-100X

Self-priming multi-stage pumps

-  Clean water
-  Domestic use
-  Civil use



PERFORMANCE RANGE

- Flow rate up to **130 l/min** (7.8 m³/h)
- Head up to **52 m**

APPLICATION LIMITS

- Manometric suction lift up to **9 m** (HS)
- Liquid temperature between **-10 °C** and **+40 °C**
- Ambient temperature up to **+40 °C**
- Max. working pressure **6 bar**
- Continuous service **S1**

CONSTRUCTION AND SAFETY STANDARDS

EN 60335-1
IEC 60335-1
CEI 61-150

EN 60034-1
IEC 60034-1
CEI 2-3



CERTIFICATIONS

Company with management system certified DNV
ISO 9001: QUALITY



INSTALLATION AND USE

The self-priming **PLURIJET** pumps are recommended for pumping clean water even in cases where air is present and for liquids which are not chemically aggressive towards the materials from which the pump is made.

Because of their silence, reliability and low energy consumption they are recommended for domestic and civil applications, in particular for pressurising and distributing water in combination with pressure tanks, for the recovery of rain water, for irrigation systems, etc.

The pump should be installed in an enclosed environment or sheltered from inclement weather.

PATENTS - TRADE MARKS - MODELS

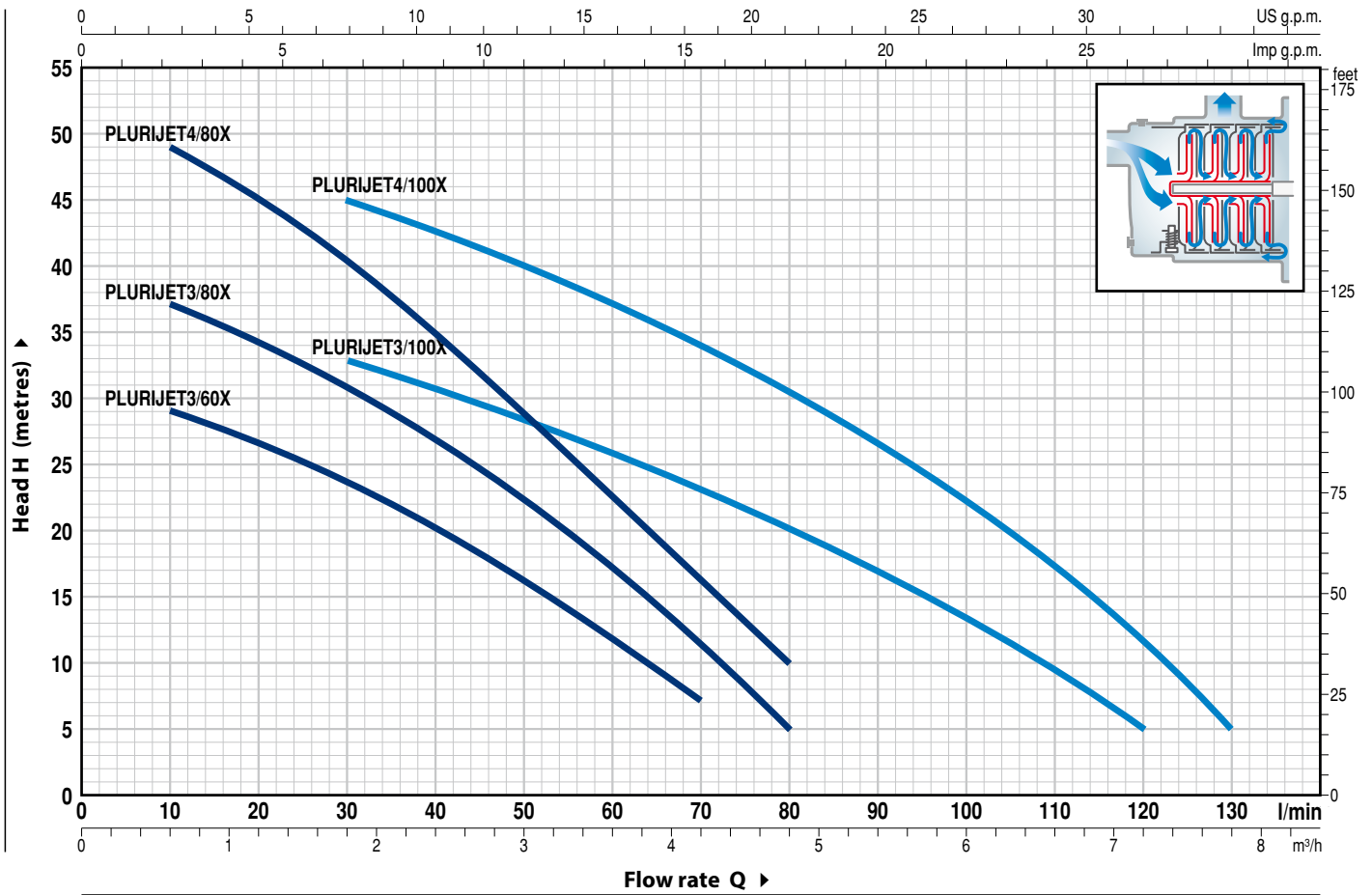
- Registered Trade Mark n. 3974301 PLURIJET®

OPTIONS AVAILABLE ON REQUEST

- Other voltages or 60 Hz frequency

CHARACTERISTIC CURVES AND PERFORMANCE DATA

50 Hz n= 2900 min⁻¹ HS= 0 m



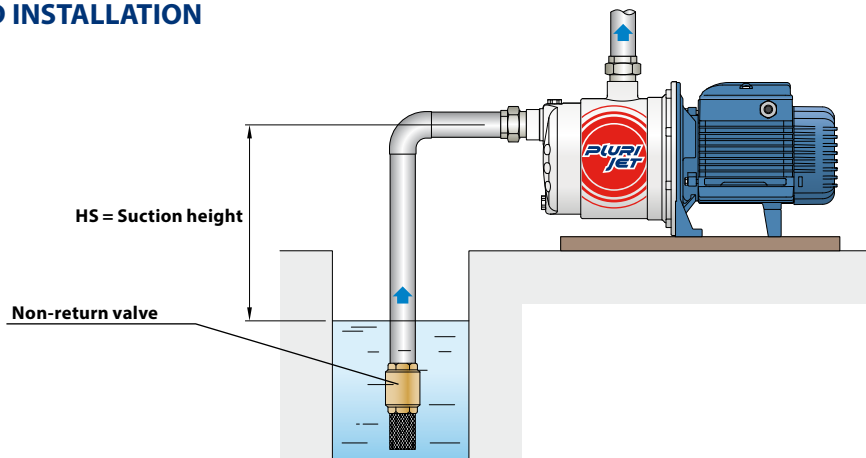
MODEL		POWER (P ₂)			Q															
Single-phase	Three-phase	kW	HP	▲	0	0.3	0.6	1.2	1.8	2.4	3.0	3.6	4.2	4.8	5.4	6.0	6.6	7.2	7.8	
					0	5	10	20	30	40	50	60	70	80	90	100	110	120	130	
PLURIJETm 3/60X	PLURIJET 3/60X	0.37	0.50	IE2	H metres	31	30	29	26.5	23.5	20	16	11.5	7						
PLURIJETm 3/80X	PLURIJET 3/80X	0.48	0.65			40	38	37	34.5	31	27	22.5	17	11	5					
PLURIJETm 4/80X	PLURIJET 4/80X	0.55	0.75	52		50	49	44.5	40	34	28.5	22.5	16	10						
PLURIJETm 3/100X	PLURIJET 3/100X	0.55	0.75	38		37	36	34.5	33	31	28	26	23	20	17	13.5	10	5		
PLURIJETm 4/100X	PLURIJET 4/100X	0.75	1	IE3		50	50	49	47	45	42	39.5	37	34	30.5	26.5	22	17	11	5

Q = Flow rate H = Total manometric head HS = Suction height

Tolerance of characteristic curves in compliance with EN ISO 9906 Grado 3B.

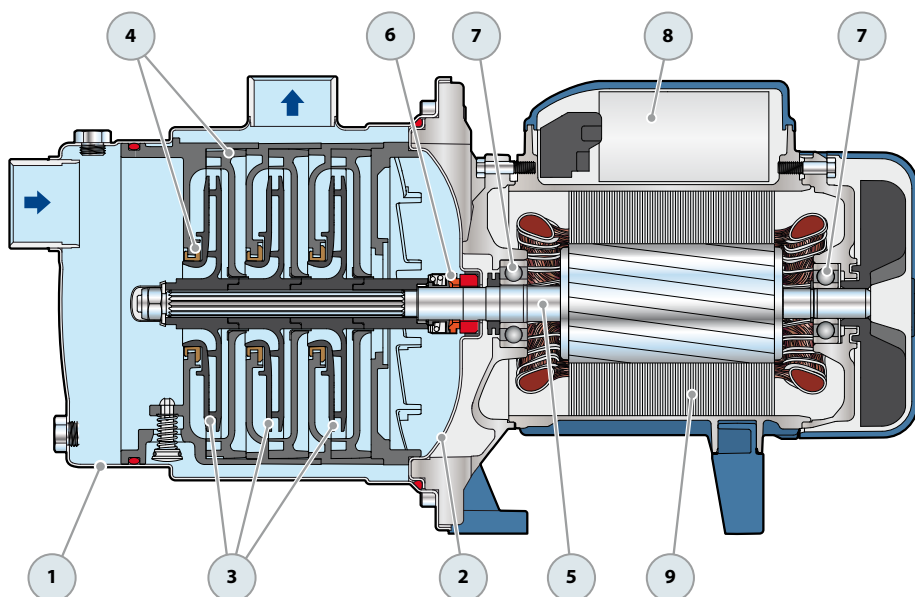
▲ Performance class of the three-phase motor (IEC 60034-30-1)

STANDARD INSTALLATION

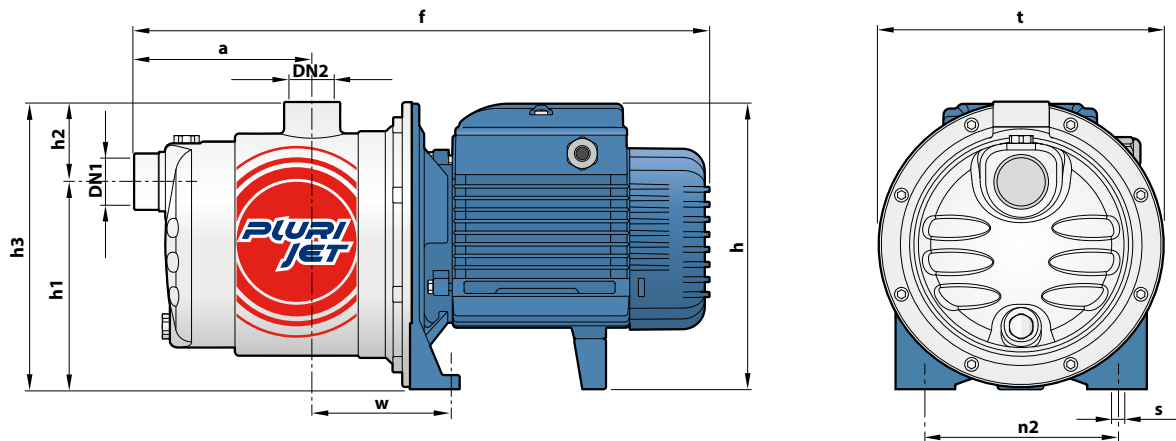


PLURIJET 60X-80X-100X

POS.	COMPONENT	CONSTRUCTION CHARACTERISTICS				
1	PUMP BODY	Stainless steel AISI 304 complete with threaded ports in compliance with ISO 228/1				
2	BODY BACKPLATE	Stainless steel AISI 304				
3	IMPELLERS	Noryl FE1520PW				
4	DIFFUSERS	Noryl FE1520PW complete with anti-wear ring				
5	MOTOR SHAFT	Stainless steel EN 10088-3 - 1.4104				
6	MECHANICAL SEAL	<i>Seal Model</i>	<i>Shaft Diameter</i>	<i>Stationary ring</i>	<i>Materials Rotational ring</i>	<i>Elastomer</i>
		AR-13	Ø 13 mm	Ceramic	Graphite	NBR
7	BEARINGS	<i>Pump Model</i>	<i>Model</i>			
		PLURIJET 3/60X PLURIJET 3/80X PLURIJET 3/100X PLURIJET 4/80X PLURIJET 4/100X	6202 ZZ - C3 / 6201 ZZ 6203 ZZ / 6203 ZZ			
8	CAPACITOR	<i>Pump Single-phase</i>	<i>Capacitance (230 V or 240 V)</i>		<i>(110 V)</i>	
		PLURIJETm 3/60X	10 µF - 450 VL	25 µF - 250 VL		
		PLURIJETm 3/80X	12.5 µF - 450 VL	25 µF - 250 VL		
		PLURIJETm 4/80X	14 µF - 450 VL	25 µF - 250 VL		
		PLURIJETm 3/100X	14 µF - 450 VL	25 µF - 250 VL		
		PLURIJETm 4/100X	20 µF - 450 VL	60 µF - 300 VL		
9	ELECTRIC MOTOR	<p>PLURIJETm: single-phase 230 V - 50 Hz with thermal overload protector incorporated into the winding. PLURIJET: three-phase 230/400 V - 50 Hz.</p> <p>⇒ The three-phase pumps are fitted with high performance motors up to P₂=0.55 kW in class IE2 and from P₂=0.75 kW in class IE3 (IEC 60034-30-1)</p> <ul style="list-style-type: none"> - Insulation: class F - Protection: IP X4 				



DIMENSIONS AND WEIGHT



MODEL		PORTS		DIMENSIONS mm										kg	
Single-phase	Three-phase	DN1	DN2	a	f	h	h1	h2	h3	t	n2	w	s	1~	3~
PLURIJETm 3/60X	PLURIJET 3/60X	1"	1"	113	367	182	132	51	183	182	120	87	9	6.5	6.5
PLURIJETm 3/80X	PLURIJET 3/80X			138	392									7.3	7.3
PLURIJETm 4/80X	PLURIJET 4/80X			113	367									8.3	7.8
PLURIJETm 3/100X	PLURIJET 3/100X			138	411	7.9								7.3	
PLURIJETm 4/100X	PLURIJET 4/100X			202 *	10	10.6								10.6	

(*) h=221 mm for single phase versions at 110 V

ABSORPTION

MODEL	VOLTAGE		
	230 V	240 V	110 V
Single-phase	230 V	240 V	110 V
PLURIJETm 3/60X	2.4 A	2.3 A	4.8 A
PLURIJETm 3/80X	3.3 A	3.1 A	6.6 A
PLURIJETm 4/80X	4.1 A	4.0 A	8.2 A
PLURIJETm 3/100X	4.1 A	4.0 A	8.2 A
PLURIJETm 4/100X	6.0 A	5.8 A	12.0 A

MODEL	VOLTAGE					
	230 V	400 V	690 V	240 V	415 V	720 V
Three-phase	230 V	400 V	690 V	240 V	415 V	720 V
PLURIJET 3/60X	1.7 A	1.0 A	0.6 A	1.6 A	0.9 A	0.5 A
PLURIJET 3/80X	2.5 A	1.5 A	0.9 A	2.4 A	1.4 A	0.8 A
PLURIJET 4/80X	3.4 A	2.0 A	1.2 A	3.3 A	1.9 A	1.1 A
PLURIJET 3/100X	3.4 A	2.0 A	1.2 A	3.3 A	1.9 A	1.1 A
PLURIJET 4/100X	4.5 A	2.6 A	1.5 A	4.3 A	2.5 A	1.4 A

PALLETIZATION

MODEL		GROUPAGE	CONTAINER
Single-phase	Three-phase	n. pumps	n. pumps
PLURIJETm 3/60X	PLURIJET 3/60X	84	108
PLURIJETm 3/80X	PLURIJET 3/80X	84	108
PLURIJETm 4/80X	PLURIJET 4/80X	72	108
PLURIJETm 3/100X	PLURIJET 3/100X	84	108
PLURIJETm 4/100X	PLURIJET 4/100X	72	108