

# RX-GM

## Submersible DRAINAGE pumps

for clear water



### Version with vertical magnetic float switch



#### PERFORMANCE RANGE

- Flow rate up to **220 l/min** (13.2 m<sup>3</sup>/h)
- Head up to **12 m**

#### APPLICATION LIMITS

- **10 m** maximum immersion depth (with a sufficiently long power cable)
- Maximum liquid temperature **+40 °C**
- Passage of suspended solids up to **Ø 10 mm**
- Suction down to **14 mm** above ground level
- Continuous service **S1**

#### CONSTRUCTION AND SAFETY STANDARDS

Complete with:

- **5 m** long power cable
- vertical magnetic float switch

EN 60335-1  
IEC 60335-1  
CEI 61-150

EN 60034-1  
IEC 60034-1  
CEI 2-3



#### CERTIFICATIONS

COMPANY WITH MANAGEMENT SYSTEM  
CERTIFIED BY DNV  
ISO 9001: QUALITY  
ISO 14001: ENVIRONMENT AND SAFETY



#### INSTALLATION AND USE

The **RX-GM** series is suitable for use with **clear water** that does not contain abrasive particles and comes complete with a vertical float switch meaning that the pumps **can be used in particularly small spaces**.

As a result of the design solutions that have been adopted, such as the complete cooling of the motor and the shaft with double seal, these pumps are easy to use and reliable.

They are suitable for use in fixed installations and applications such as draining small flooded areas (rooms, cellars, garages) in the event of an emergency, for the disposal of waste water in the home (from dishwashers, washing machines) and for emptying drainage traps.

#### PATENTS - TRADE MARKS - MODELS

- Registered Community Design n° 342159-0013

#### OPTIONALS AVAILABLE ON REQUEST

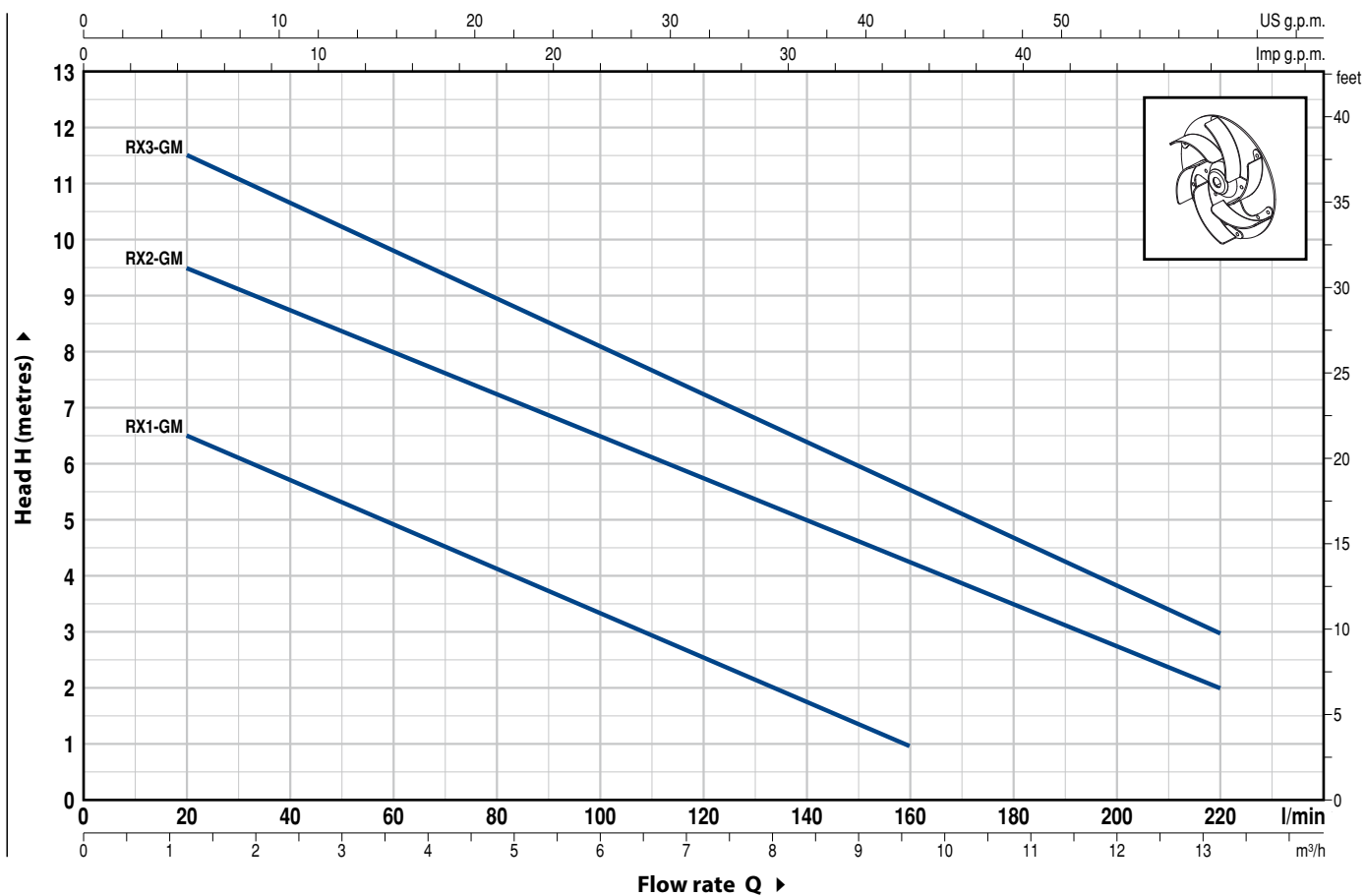
- Special mechanical seal
- Pumps with a **10 m** long power cable.
  - N.B. Standard EN 60335-2-41 states that the power cable must be 10 m long for outdoor applications
- Other voltages or 60 Hz frequency

#### GUARANTEE

1 year subject to terms and conditions

**CHARACTERISTIC CURVES AND PERFORMANCE DATA**

**50 Hz n= 2900 1/min**



MODEL	POWER		Q	Flow rate								
	kW	HP		0	1.2	3.6	6.0	8.4	9.6	12.0	13.2	
Single-phase				0	20	60	100	140	160	200	220	
<b>RXm 1-GM</b>	0.25	0.33	H metres	7.5	6.5	5	3.5	2	1			
<b>RXm 2-GM</b>	0.37	0.50		10	9.5	8	6.5	5	4.5	2.5	2	
<b>RXm 3-GM</b>	0.55	0.75		12	11.5	9.5	8	6.5	5.5	3.5	3	

Q = Flow rate H = Total manometric head

Tolerance of characteristic curves in compliance with EN ISO 9906 Grade 3.

POS.	COMPONENT	CONSTRUCTION CHARACTERISTICS
------	-----------	------------------------------

1	PUMP BODY	Stainless steel AISI 304, with threaded port in compliance with ISO 228/1
2	SUCTION FILTER	Stainless steel AISI 304
3	SUCTION PLATE	Stainless steel AISI 304
4	IMPELLER	Stainless steel AISI 304
5	MOTOR CASING	Stainless steel AISI 304
6	MOTOR CASING PLATE	Stainless steel AISI 304
7	MOTOR SHAFT	Stainless steel EN 10088-3 - 1.4104

### 8 SHAFT WITH DOUBLE SEAL AND OIL CHAMBER

Seal Model	Shaft Diameter	Materials		
		Stationary ring	Rotational ring	Elastomer
AR-12R	Ø 12 mm	Ceramic	Graphite	NBR

9 LIP SEAL **Ø 12 x Ø 19 x H 5 mm**

10 BEARINGS **6201 ZZ / 6201 ZZ**

### 11 CAPACITOR

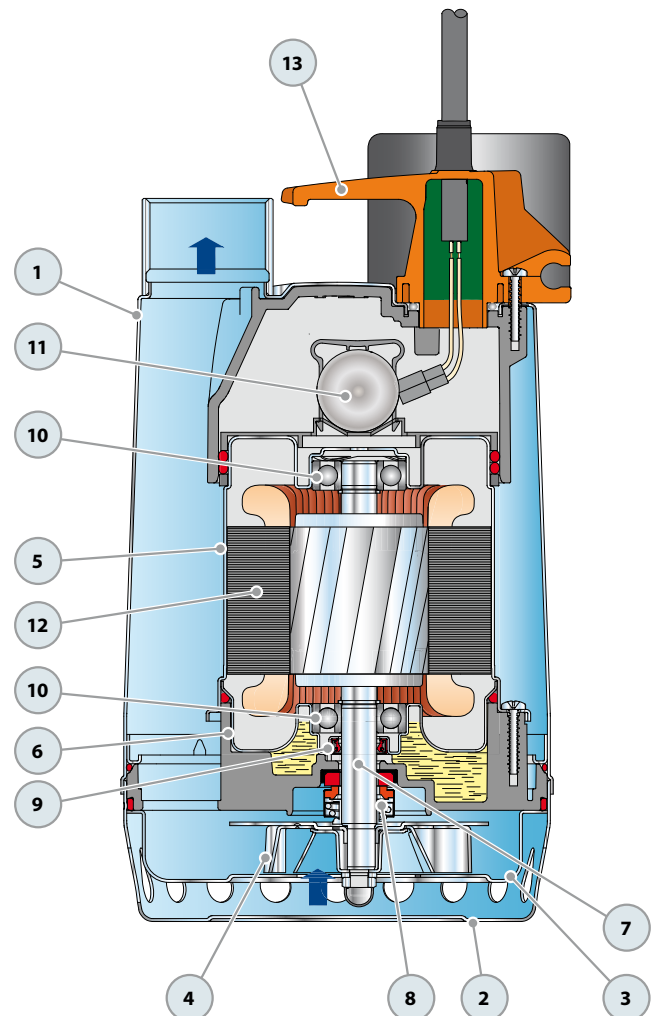
Pump	Capacitance	
Single-phase	(230 V or 240 V)	(110 V)
RXm 1-GM	10 µF 450 VL	16 µF 250 VL
RXm 2-GM	10 µF 450 VL	16 µF 250 VL
RXm 3-GM	14 µF 450 VL	16 µF 250 VL

### 12 ELECTRIC MOTOR

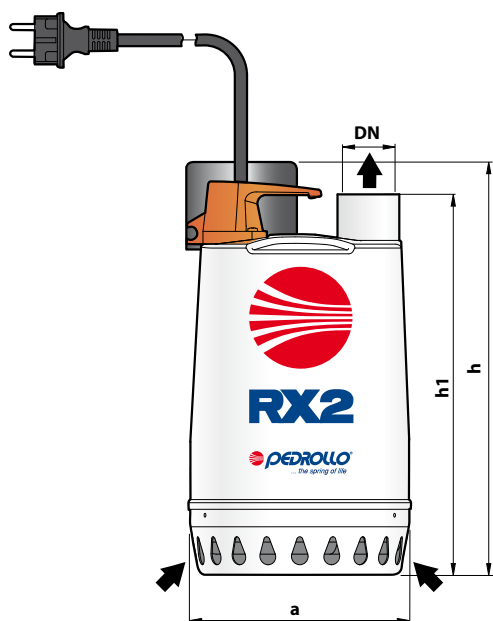
- Single-phase 230 V - 50 Hz with thermal overload protector built-in to the winding
- Insulation: F class
- Protection: IP X8

### 13 HANDLE ASSEMBLY (resin sealed)

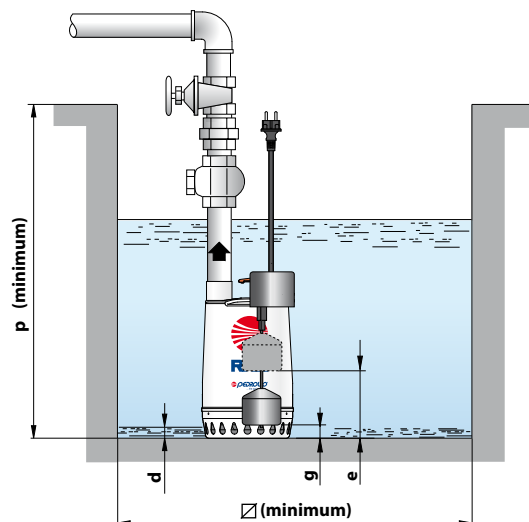
- Complete with:
- **5 metre** long "H07 RN-F" power cable with Schuko plug
  - Float switch.



## DIMENSIONS AND WEIGHT



**Typical installation**



MODEL	PORT	DIMENSIONS mm								kg
		a	h	h1	d	e	g	p	Ø	
Single-phase	<b>DN</b>	147	270	247	14	145	40	350	240	<b>4.8</b>
RXm 1-GM	<b>1 1/4"</b>									300
RXm 2-GM			<b>7.5</b>							
RXm 3-GM										

## ABSORPTION

MODEL	VOLTAGE (single-phase)		
	230 V	240 V	110 V
Single-phase			
RXm 1-GM	<b>1.4 A</b>	<b>1.3 A</b>	<b>3.0 A</b>
RXm 2-GM	<b>2.0 A</b>	<b>2.0 A</b>	<b>5.3 A</b>
RXm 3-GM	<b>3.6 A</b>	<b>3.6 A</b>	<b>7.5 A</b>

## PALLETIZATION

MODEL	GROUPAGE			CONTAINER		
	n° pumps	H (mm)	kg	n° pumps	H (mm)	kg
Single-phase						
RXm 1-GM	<b>60</b>	1409	312	<b>90</b>	2054	456
RXm 2-GM	<b>60</b>	1409	378	<b>90</b>	2054	555
RXm 3-GM	<b>60</b>	1489	474	<b>75</b>	1844	587

