



PERFORMANCE RANGE

- Flow rate up to **180 l/min** (10.8 m³/h)
- Head up to **103 m**

APPLICATION LIMITS

- Manometric suction lift up to **7 m**
- Liquid temperature between **-10 °C** and **+40 °C**
- Ambient temperature up to **+40 °C**
- Max. working pressure **10 bar**
- Continuous service **S1**

CONSTRUCTION AND SAFETY STANDARDS

EN 60335-1
IEC 60335-1
CEI 61-150

EN 60034-1
IEC 60034-1
CEI 2-3



CERTIFICATIONS



INSTALLATION AND USE

Suitable for use with clean water and liquids that are not chemically aggressive towards the materials from which the pump is made. The high efficiency and adaptability of these pumps to even the most unusual of applications, makes them ideal for use in the domestic, civil and industrial sectors; in particular for the distribution of water in combination with pressure sets and for pressure boosting.

The pump should be installed in an enclosed environment, or at least sheltered from inclement weather.

OPTIONALS AVAILABLE ON REQUEST

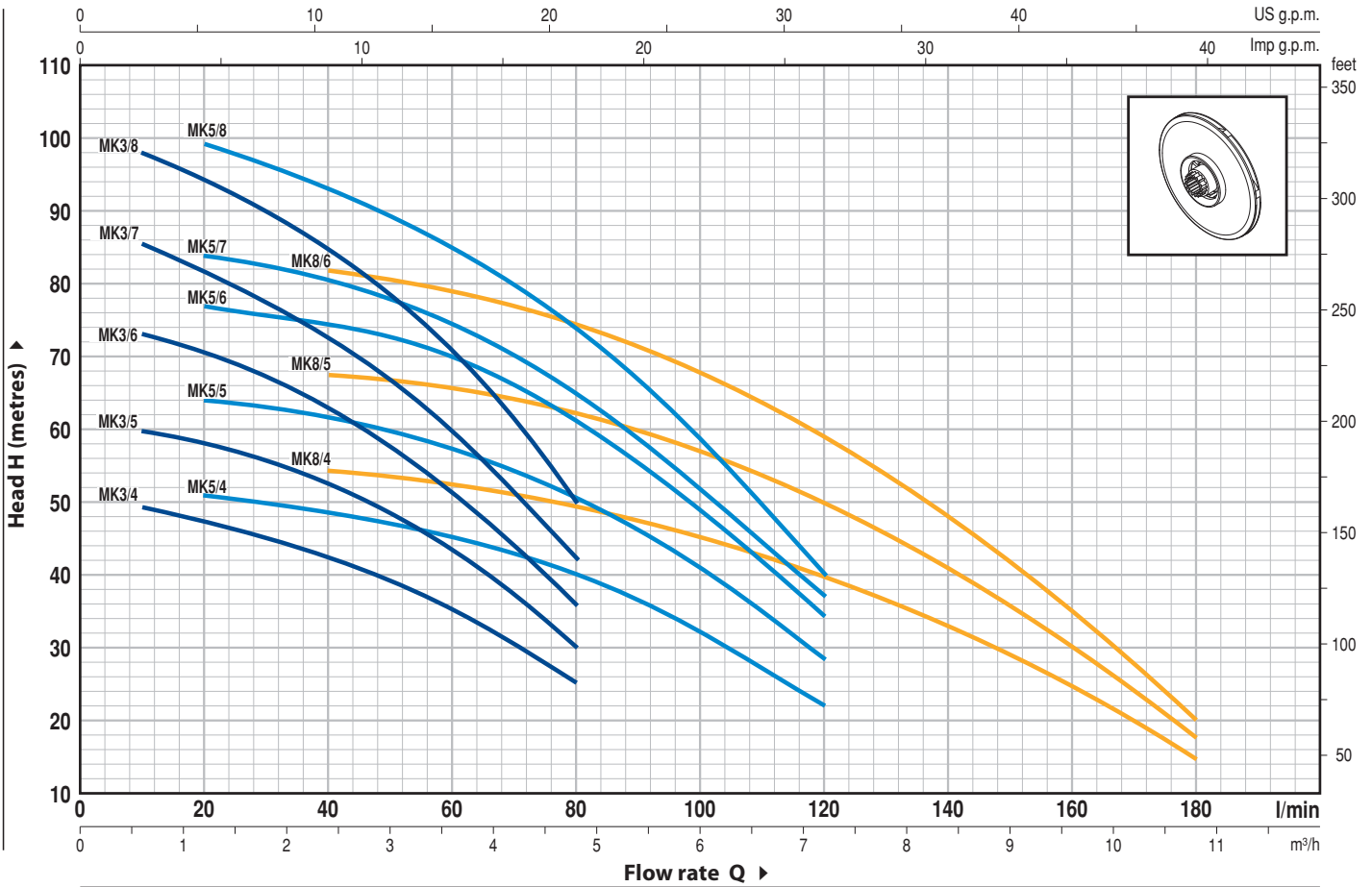
- Suction and delivery ports with threaded flanges in compliance with ISO 228/1 (1" - 1¼" - 1½)
- Other voltages or 60 Hz frequency

GUARANTEE

1 year subject to terms and conditions

CHARACTERISTIC CURVES AND PERFORMANCE DATA

50 Hz n= 2900 1/min HS= 0 m



MODEL		POWER		Q	Flow rate														
Single-phase	Three-phase	kW	HP		m³/h	0	0.6	1.2	2.4	3.6	4.8	6.0	7.2	8.4	9.6	10.8			
				l/min	0	10	20	40	60	80	100	120	140	160	180				
MK _m 3/4	MK 3/4	0.75	1	H metres	50	49	47	42.5	35	25									
MK _m 3/5	MK 3/5	0.75	1		62	60	58.5	52.5	43.5	30									
MK _m 3/6	MK 3/6	1.1	1.5		75	73	70	62.5	51.5	36									
MK _m 3/7	MK 3/7	1.1	1.5		88	85	81.5	73	59.5	42									
MK _m 3/8	MK 3/8	1.5	2		100	98	94	85	70.5	50									
MK _m 5/4	MK 5/4	1.1	1.5		53	-	51	48	45	40	32	22							
MK _m 5/5	MK 5/5	1.5	2		67	-	64	61	57.5	51	41.5	29							
MK _m 5/6	MK 5/6	1.8	2.5		80	-	77	74	70	61	49	34							
MK _m 5/7	MK 5/7	2.2	3		87	-	84	80	75	64.5	51.5	37							
MK _m 5/8	MK 5/8	2.2	3		103	-	99	93	85	74.5	58.5	40							
MK _m 8/4	MK 8/4	1.5	2		56.0	-	-	54.0	52.0	50.0	46.0	39.0	31.5	24.0	15.0				
MK _m 8/5	MK 8/5	1.8	2.5		70.0	-	-	67.5	66.0	63.0	58.0	50.0	40.0	30.0	18.0				
MK _m 8/6	MK 8/6	2.2	3		86.0	-	-	82.0	78.0	74.0	68.0	58.0	46.5	35.0	20.0				

Q = Flow rate H = Total manometric head HS = Suction height

Tolerance of characteristic curves in compliance with EN ISO 9906 App. A.

POS.	COMPONENT	CONSTRUCTION CHARACTERISTICS					
1	SUCTION BODY	Cast iron, complete with threaded suction port in compliance with ISO 228/1					
2	EXTERNAL SLEEVE	Stainless steel AISI 304					
3	DELIVERY BODY	Cast iron, complete with threaded suction port in compliance with ISO 228/1					
4	IMPELLERS AND DIFFUSERS	Noryl GFN2V					
5	DIAPHRAGMS	Stainless steel AISI 304 complete with anti-wear rings					
6	MOTOR SHAFT	Stainless steel EN 10088-3 - 1.4104					
7	MECHANICAL SEAL	<i>Seal</i>	<i>Shaft</i>	<i>Position</i>	<i>Materials</i>		
		<i>Model</i>	<i>Diameter</i>		<i>Stationary ring</i>	<i>Rotational ring</i>	<i>Elastomer</i>
		MK 3/4-5-6-7	FN-15	Ø 15 mm	Graphite	Ceramic	NBR
		MK 3/8					
		MK 5/4-5-6-7-8	FN-18	Ø 18 mm	Graphite	Ceramic	NBR
		MK 8/4-5-6					

8 BEARINGS

<i>Pump</i>	<i>Model</i>
MK 3/4-5-6-7	6303 ZZ - C3 / 6203 ZZ
MK 3/8	
MK 5/4-5-6-7-8	6304 ZZ / 6204 ZZ
MK 8/4-5-6	

9 CAPACITOR

<i>Pump</i>	<i>Capacitance</i>	
<i>Single-phase</i>	<i>(230 V or 240 V)</i>	<i>(110 V)</i>
MK_m 3/4	20 µF 450 VL	60 µF 300 VL
MK_m 3/5	20 µF 450 VL	60 µF 300 VL
MK_m 3/6	25 µF 450 VL	60 µF 300 VL
MK_m 3/7	25 µF 450 VL	60 µF 300 VL
MK_m 3/8	31.5 µF 450 VL	60 µF 250 VL
MK_m 5/4	25 µF 450 VL	60 µF 250 VL
MK_m 5/5	31.5 µF 450 VL	60 µF 250 VL
MK_m 5/6	45 µF 450 VL	80 µF 250 VL
MK_m 5/7	50 µF 450 VL	80 µF 250 VL
MK_m 5/8	50 µF 450 VL	80 µF 250 VL
MK_m 8/4	31.5 µF 450 VL	60 µF 250 VL
MK_m 8/5	45 µF 450 VL	80 µF 250 VL
MK_m 8/6	50 µF 450 VL	80 µF 250 VL

10 ELECTRIC MOTOR

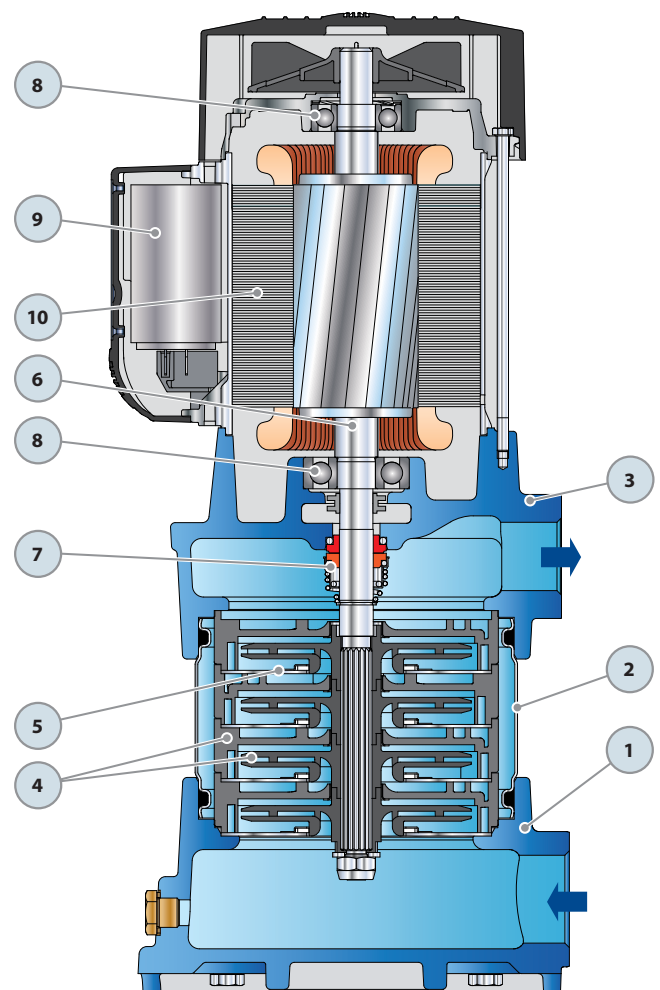
⇒ Pumps fitted with the three-phase motor option offer IE2 (IEC 60034-30) class high performance

MK_m: single-phase 230 V - 50 Hz
with thermal overload protector built-in to the winding.

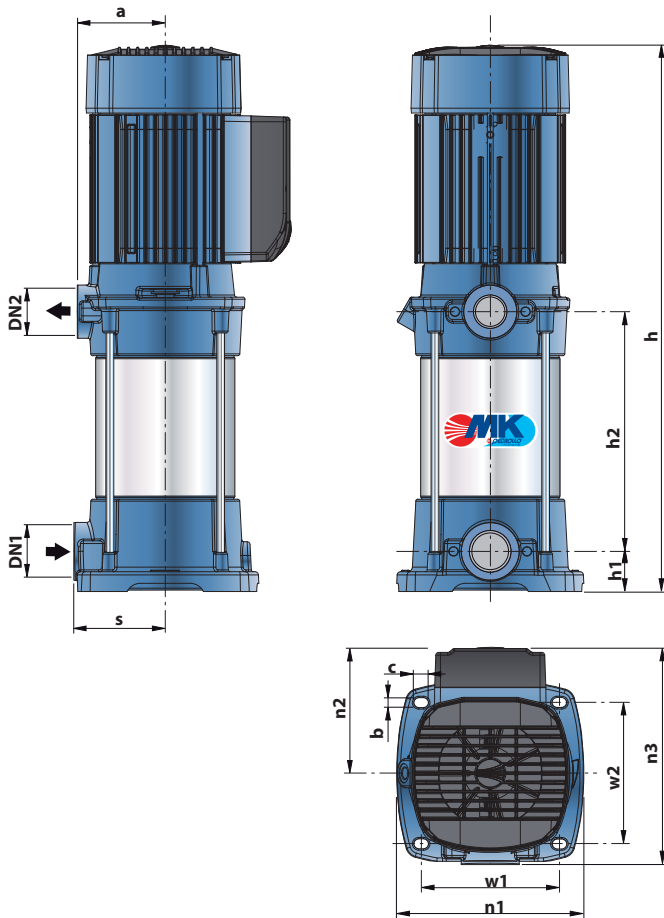
MK: three-phase 230/400 V - 50 Hz.

– Insulation: F class.

– Protection: IP 44.



DIMENSIONS AND WEIGHT



ABSORPTION

MODEL	VOLTAGE (single-phase)		
	230 V	240 V	110 V
Single-phase	230 V	240 V	110 V
MKm 3/4	5.0 A	4.8 A	10.0 A
MKm 3/5	6.0 A	5.8 A	12.0 A
MKm 3/6	6.5 A	6.3 A	13.0 A
MKm 3/7	7.0 A	6.8 A	14.0 A
MKm 3/8	9.0 A	8.7 A	18.0 A
MKm 5/4	6.5 A	6.3 A	13.0 A
MKm 5/5	8.5 A	8.2 A	17.0 A
MKm 5/6	9.5 A	9.1 A	19.0 A
MKm 5/7	10.5 A	10.2 A	21.0 A
MKm 5/8	11.5 A	11.0 A	23.0 A
MKm 8/4	8.5 A	8.2 A	17.0 A
MKm 8/5	9.5 A	9.1 A	19.0 A
MKm 8/6	11.5 A	11.0 A	23.0 A

MODEL	VOLTAGE (three-phase)					
	230 V	400 V	690 V	240 V	415 V	720 V
Three-phase	230 V	400 V	690 V	240 V	415 V	720 V
MKm 3/4	3.5 A	2.0 A	1.2 A	3.4 A	2.0 A	1.2 A
MKm 3/5	4.2 A	2.4 A	1.4 A	4.0 A	2.3 A	1.3 A
MKm 3/6	4.8 A	2.8 A	1.6 A	4.6 A	2.7 A	1.6 A
MKm 3/7	5.2 A	3.0 A	1.7 A	5.0 A	2.9 A	1.7 A
MKm 3/8	5.5 A	3.2 A	1.8 A	5.3 A	3.1 A	1.8 A
MKm 5/4	4.8 A	2.8 A	1.6 A	4.6 A	2.7 A	1.6 A
MKm 5/5	5.2 A	3.0 A	1.7 A	5.0 A	2.9 A	1.7 A
MKm 5/6	6.1 A	3.5 A	2.0 A	5.8 A	3.4 A	2.0 A
MKm 5/7	7.8 A	4.5 A	2.6 A	7.5 A	4.3 A	2.5 A
MKm 5/8	8.7 A	5.0 A	2.9 A	8.3 A	4.8 A	2.8 A
MKm 8/4	5.2 A	3.0 A	1.7 A	5.0 A	2.9 A	1.7 A
MKm 8/5	6.1 A	3.5 A	2.0 A	5.8 A	3.4 A	2.0 A
MKm 8/6	8.7 A	5.0 A	2.9 A	8.3 A	4.8 A	2.8 A

MODEL		PORTS		N° STAGES	DIMENSIONS mm										kg		
Single-phase	Three-phase	DN1	DN2		a	s	h	h1	h2	w1	w2	n1	n2	n3	b	c	1~
MKm 3/4	MKm 3/4	1 1/4"	1"	4	91	94.5	41.5	435	143	146	194	109.5	204	9.5	14.5	20.0	19.6
MKm 3/5	MKm 3/5			5				176								20.8	20.3
MKm 3/6	MKm 3/6			6				220								21.1	21.6
MKm 3/7	MKm 3/7			7				224								21.8	22.3
MKm 3/8	MKm 3/8			8				248								26.6	25.6
MKm 5/4	MKm 5/4			4				152								22.3	21.6
MKm 5/5	MKm 5/5			5				176								24.3	23.4
MKm 5/6	MKm 5/6			6				200								25.8	25.0
MKm 5/7	MKm 5/7	7	224	27.3	26.6												
MKm 5/8	MKm 5/8	8	248	28.0	27.3												
MKm 8/4	MKm 8/4	4	152	23.6	22.7												
MKm 8/5	MKm 8/5	5	176	25.1	24.3												
MKm 8/6	MKm 8/6	6	200	26.6	25.9												

PALLETIZATION

MODEL		GROUPAGE / CONTAINER			
Single-phase	Three-phase	n° pumps	H (mm)	1~	3~
MKm 3/4	MKm 3/4	30	1400	620	610
MKm 3/5	MKm 3/5	30	1400	640	630
MKm 3/6	MKm 3/6	30	1400	650	670
MKm 3/7	MKm 3/7	30	1400	670	690
MKm 3/8	MKm 3/8	30	1500	820	790
MKm 5/4	MKm 5/4	30	1500	690	670
MKm 5/5	MKm 5/5	30	1500	750	720
MKm 5/6	MKm 5/6	30	1500	790	770
MKm 5/7	MKm 5/7	30	1500	840	820
MKm 5/8	MKm 5/8	30	1500	860	840
MKm 8/4	MKm 8/4	30	1500	729	699
MKm 8/5	MKm 8/5	30	1500	769	749
MKm 8/6	MKm 8/6	30	1500	818	798

