

24SF

Small pressure sets "HYDROFRESH"



Small, automatic pressure sets with a 24 litre spherical tank suitable for the distribution of pressurised water in domestic applications



PERFORMANCE

MODEL	POWER	FLOW RATE	SETTING		
			(1)	(2)	
brass / stainless steel impeller	technopolymer impeller	kW	HP	l/min	bar

PK series pumps

PKm 60 - 24 SF	-	0.37	0.50	32	1.4 ÷ 2.8
PKm 65 - 24 SF	-	0.50	0.70	40	1.5 ÷ 3.0
PKm 70 - 24 SF	-	0.60	0.85	50	1.8 ÷ 3.2

CP series pumps

CPm 158 - 24 SF	CPm 158X - 24 SF	0.75	1	90	1.8 ÷ 3.2
CPm 170 - 24 SF	CPm 170X - 24 SF	1.1	1.5	120	2.2 ÷ 3.5

2CP series pumps

2CPm 25/130N - 24 SF	2CPm 25/130NX - 24 SF	0.75	1	100	1.4 ÷ 2.8
----------------------	-----------------------	------	---	-----	-----------

JSW series pumps

JSWm 1C - 24 SF	JSWm 1CX - 24 SF	0.37	0.50	45	1.2 ÷ 2.6
JSWm 1B - 24 SF	JSWm 1BX - 24 SF	0.50	0.70	50	1.4 ÷ 2.8
JSWm 1A - 24 SF	JSWm 1AX - 24 SF	0.60	0.85	50	1.8 ÷ 3.2
JSWm 10H - 24 SF	JSWm 10HX - 24 SF	0.75	1	50	2.0 ÷ 3.2
JSWm 12H - 24 SF	JSWm 12HX - 24 SF	0.90	1.25	50	2.5 ÷ 4.0
JSWm 15H - 24 SF	JSWm 15HX - 24 SF	1.1	1.5	50	3.0 ÷ 4.5
JSWm 3CH - 24 SF	-	1.1	1.5	70	3.0 ÷ 4.5

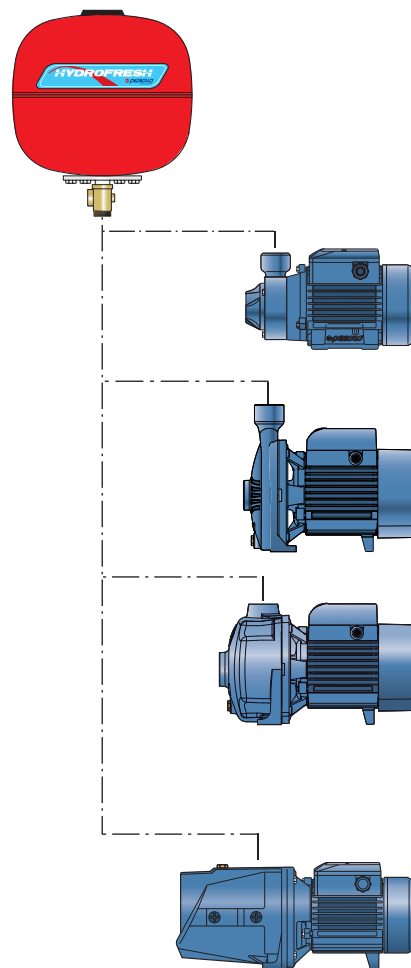
➔ (1) Pressure switch setting (recommended)

➔ (2) Maximum flow rate at the minimum recommended pressure switch pressure

N.B. The pressure in the vessel should be pre-set to a value 0.2 bar lower than the recommended minimum setting of the pressure switch.

24SF COMPONENTS:

- Single phase pump
- 24 litre spherical tank
- Pressure switch
- Pressure gauge
- Brass connector
- 1.5 metres power cable with Schuko plug



Small pressure sets "HYDROFRESH"



Small, automatic pressure sets with a 20 litre cylindrical tank suitable for the distribution of pressurised water in domestic applications.



PERFORMANCE

MODEL		POWER		FLOW RATE	SETTING
brass / stainless steel impeller	technopolymer impeller	kW	HP	(2) l/min	(1) bar
PK series pumps					
PKm 60 - 24 CL	-	0.37	0.50	32	1.4 ÷ 2.8
PKm 65 - 24 CL	-	0.50	0.70	40	1.5 ÷ 3.0
PKm 70 - 24 CL	-	0.60	0.85	50	1.8 ÷ 3.2
CP series pumps					
CPm 158 - 24 CL	CPm 158X - 24 CL	0.75	1	90	1.8 ÷ 3.2
CPm 170 - 24 CL	CPm 170X - 24 CL	1.1	1.5	120	2.2 ÷ 3.5
2÷4CP series pumps					
-	3CPm 80E - 24 CL	0.45	0.60	60	1.4 ÷ 2.8
-	4CPm 80E - 24 CL	0.60	0.85	60	2.2 ÷ 3.6
-	3CPm 100E - 24 CL	0.60	0.85	100	1.4 ÷ 2.8
-	4CPm 100E - 24 CL	0.75	1	100	2.0 ÷ 3.5
JSW series pumps					
JSWm 1C - 24 CL	JSWm 1CX - 24 CL	0.37	0.50	45	1.2 ÷ 2.6
JSWm 1B - 24 CL	JSWm 1BX - 24 CL	0.50	0.70	50	1.4 ÷ 2.8
JSWm 1A - 24 CL	JSWm 1AX - 24 CL	0.60	0.85	50	1.8 ÷ 3.2
JSWm 10H - 24 CL	JSWm 10HX - 24 CL	0.75	1	50	2.0 ÷ 3.2
JSWm 12H - 24 CL	JSWm 12HX - 24 CL	0.90	1.25	50	2.5 ÷ 4.0
JSWm 15H - 24 CL	JSWm 15HX - 24 CL	1.1	1.5	50	3.0 ÷ 4.5
JSWm 10M - 24 CL	JSWm 10MX - 24 CL	0.75	1	80	1.4 ÷ 2.8
JSWm 12M - 24 CL	JSWm 12MX - 24 CL	0.90	1.25	80	2.0 ÷ 3.5
JSWm 15M - 24 CL	JSWm 15MX - 24 CL	1.1	1.5	80	2.5 ÷ 4.0
JSWm 3CH - 24 CL	-	1.1	1.5	70	3.0 ÷ 4.5
JCR series pumps					
-	JCRm 1C - 24 CL	0.37	0.50	50	1.2 ÷ 2.6
-	JCRm 1B - 24 CL	0.50	0.70	50	1.4 ÷ 2.8
-	JCRm 1A - 24 CL	0.60	0.85	50	1.8 ÷ 3.2
-	JCRm 10H - 24 CL	0.75	1	50	2.0 ÷ 3.4
-	JCRm 15H - 24 CL	1.1	1.5	50	3.0 ÷ 4.0
-	JCRm 10M - 24 CL	0.75	1	80	1.4 ÷ 2.8
-	JCRm 15M - 24 CL	1.1	1.5	80	2.5 ÷ 4.0

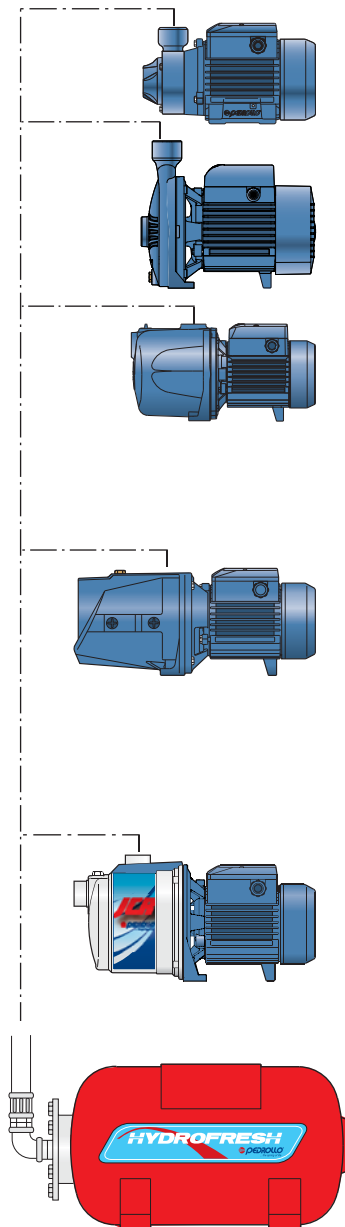
-	JCRm 1C - 24 CL	0.37	0.50	50	1.2 ÷ 2.6
-	JCRm 1B - 24 CL	0.50	0.70	50	1.4 ÷ 2.8
-	JCRm 1A - 24 CL	0.60	0.85	50	1.8 ÷ 3.2
-	JCRm 10H - 24 CL	0.75	1	50	2.0 ÷ 3.4
-	JCRm 15H - 24 CL	1.1	1.5	50	3.0 ÷ 4.0
-	JCRm 10M - 24 CL	0.75	1	80	1.4 ÷ 2.8
-	JCRm 15M - 24 CL	1.1	1.5	80	2.5 ÷ 4.0

- ➔ (1) Pressure switch setting (recommended)
- ➔ (2) Maximum flow rate at the minimum recommended pressure switch pressure

N.B. The pressure in the vessel should be pre-set to a value 0.2 bar lower than the recommended minimum setting of the pressure switch.

24 CL COMPONENTS:

- Single phase pump
- 20 litre spherical tank
- Hose
- Pressure switch
- Pressure gauge
- Brass connector
- 1.5 metres power cable with Schuko plug



60CL

Pressure sets "HYDROFRESH"



Automatic pressure sets with a 60 litre spherical tank suitable for the distribution of pressurised water in domestic applications.



PERFORMANCE

MODEL		POWER		FLOW RATE	SETTING
brass / stainless steel impeller	technopolymer impeller	kW	HP	(2) l/min	(1) bar
CP series pumps					
CPm 158 - 60 CL	CPm 158X - 60 CL	0.75	1	90	1.8 ÷ 3.2
CPm 170 - 60 CL	CPm 170X - 60 CL	1.1	1.5	120	2.2 ÷ 3.5
2CP series pumps					
2CPm 25/130N - 60 CL	2CPm 25/130NX - 60 CL	0.75	1	100	1.4 ÷ 2.8
2CPm 25/140H - 60 CL	2CPm 25/140HX - 60 CL	1.1	1.5	100	2.2 ÷ 3.6
JSW series pumps					
JSWm 10H - 60 CL	JSWm 10HX - 60 CL	0.75	1	50	2.0 ÷ 3.2
JSWm 12H - 60 CL	JSWm 12HX - 60 CL	0.90	1.25	50	2.5 ÷ 4.0
JSWm 15H - 60 CL	JSWm 15HX - 60 CL	1.1	1.5	50	3.0 ÷ 4.5
JSWm 10M - 60 CL	JSWm 10MX - 60 CL	0.75	1	80	1.4 ÷ 2.8
JSWm 12M - 60 CL	JSWm 12MX - 60 CL	0.90	1.25	80	2.0 ÷ 3.5
JSWm 15M - 60 CL	JSWm 15MX - 60 CL	1.1	1.5	80	2.5 ÷ 4.0
JSWm 3CH - 60 CL	-	1.1	1.5	70	3.0 ÷ 4.5
PLURIJET series pumps					
-	PLURIJETm 5/90 - 60 CL	1.1	1.5	80	3.4 ÷ 4.6
-	PLURIJETm 6/90 - 60 CL	1.5	2	80	3.4 ÷ 4.6
-	PLURIJETm 4/100 - 60 CL	0.75	1	100	2 ÷ 3.5
-	PLURIJETm 3/130 - 60 CL	1.1	1.5	120	2.5 ÷ 4
-	PLURIJETm 4/130 - 60 CL	1.5	2	120	3.4 ÷ 4.6

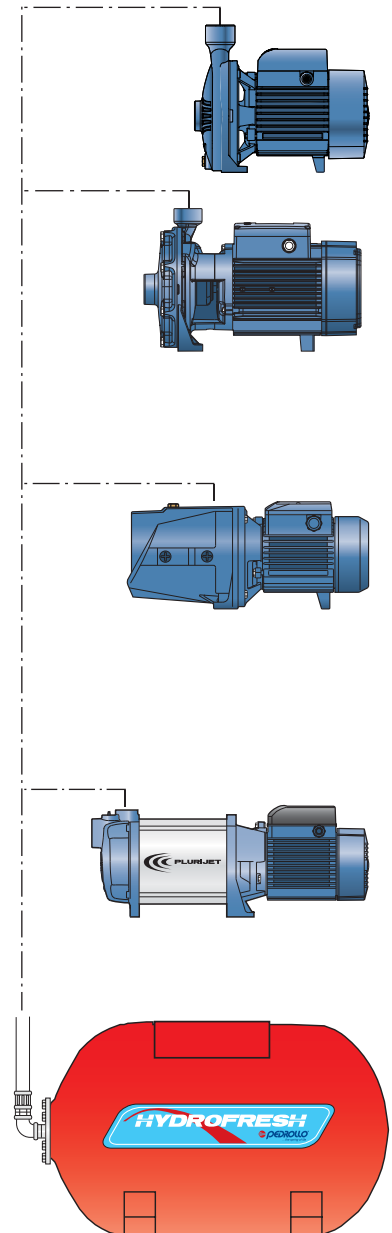
⇒ (1) Pressure switch setting (recommended)

⇒ (2) Maximum flow rate at the minimum recommended pressure switch pressure

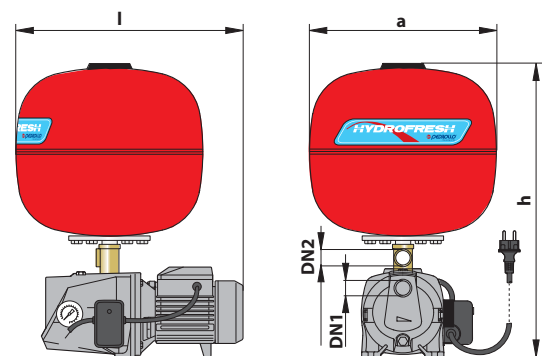
N.B. The pressure in the vessel should be pre-set to a value 0.2 bar lower than the recommended minimum setting of the pressure switch.

COMPONENTS 60 CL:

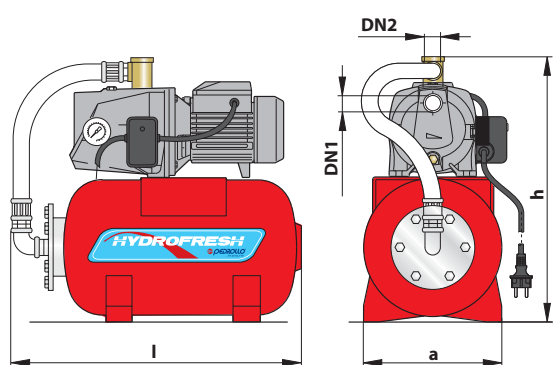
- Single phase pump
- 60 litre spherical tank
- Hose
- Pressure switch
- Pressure gauge
- Brass connector
- 1.5 metres power cable with Schuko plug



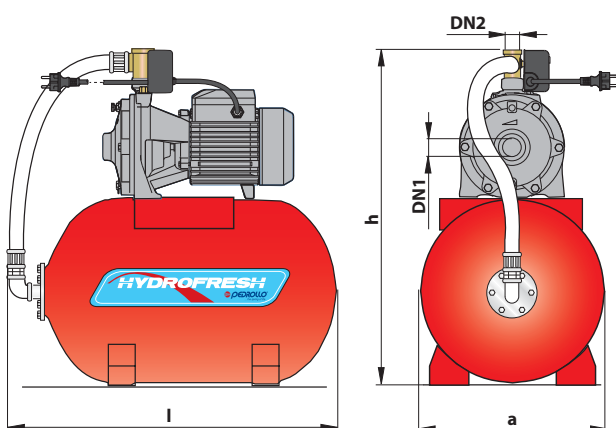
DIMENSIONS AND WEIGHT



MODEL	PORTS	DIMENSION mm			WEIGHT kg
		DN1	DN2	l	
PKm 60 - 24 SF	1" 1"	383	360	568	12.6
PKm 65 - 24 SF	1" 1"	383	360	573	14.2
PKm 70 - 24 SF	1" 1"	410	360	586	17.4
CPm 158 - 24 SF	1" 1"	423	360	650	19.3
CPm 170 - 24 SF	1 1/4" 1"	496	360	670	25.7
2CPm 25/130N - 24 SF	1 1/4" 1"	437	360	631	21.8
JSWm 1C - 24 SF	1" 1"	437	360	551	16.5
JSWm 1B - 24 SF	1" 1"	437	360	551	17.3
JSWm 1A - 24 SF	1" 1"	437	360	551	17.6
JSWm 10H - 24 SF	1" 1"	463	360	572	21.0
JSWm 12H - 24 SF	1" 1"	463	360	572	22.0
JSWm 15H - 24 SF	1" 1"	463	360	572	22.4
JSWm 3CH - 24 SF	1 1/4" 1"	555	360	598	32.2



MODEL	PORTS	DIMENSION mm			WEIGHT kg
		DN1	DN2	l	
PKm 60 - 24 CL	1" 1"	540	255	503	13.2
PKm 65 - 24 CL	1" 1"	540	255	508	14.8
PKm 70 - 24 CL	1" 1"	540	255	521	18.0
CPm 158 - 24 CL	1" 1"	540	255	585	19.9
CPm 170 - 24 CL	1 1/4" 1"	540	255	605	26.3
3CPm 80E - 24 CL	1" 1"	540	255	537	17.7
4CPm 80E - 24 CL	1" 1"	540	255	537	18.9
3CPm 100E - 24 CL	1" 1"	540	255	537	18.3
4CPm 100E - 24 CL	1" 1"	540	255	537	21.6
JSWm 1C - 24 CL	1" 1"	540	265	486	17.1
JSWm 1B - 24 CL	1" 1"	540	265	486	17.9
JSWm 1A - 24 CL	1" 1"	540	265	486	18.2
JSWm 10H - 24 CL	1" 1"	540	315	507	21.6
JSWm 12H - 24 CL	1" 1"	540	315	507	22.6
JSWm 15H - 24 CL	1" 1"	540	315	507	23.0
JSWm 10M - 24 CL	1" 1"	540	315	507	21.6
JSWm 12M - 24 CL	1" 1"	540	315	507	22.6
JSWm 15M - 24 CL	1" 1"	540	315	507	23.0
JSWm 3CH - 24 CL	1 1/4" 1"	540	290	533	32.8
JCRm 1C - 24 CL	1" 1"	540	255	519	13.5
JCRm 1B - 24 CL	1" 1"	540	255	519	14.3
JCRm 1A - 24 CL	1" 1"	540	255	519	14.8
JCRm 10H - 24 CL	1 1/4" 1"	540	255	551	17.3
JCRm 15H - 24 CL	1 1/4" 1"	540	255	551	18.4
JCRm 10M - 24 CL	1 1/4" 1"	540	255	551	17.3
JCRm 15M - 24 CL	1 1/4" 1"	540	255	551	18.4



MODEL	PORTS	DIMENSION mm			WEIGHT kg
		DN1	DN2	l	
CPm 158 - 60 CL	1" 1"	750	380	725	26.5
CPm 170 - 60 CL	1 1/4" 1"	750	380	745	32.9
2CPm 25/130N - 60 CL	1 1/4" 1"	750	380	706	29.0
2CPm 25/140H - 60 CL	1 1/4" 1"	750	380	730	33.4
JSWm 10H - 60 CL	1" 1"	750	380	647	28.2
JSWm 12H - 60 CL	1" 1"	750	380	647	29.2
JSWm 15H - 60 CL	1" 1"	750	380	647	29.6
JSWm 10M - 60 CL	1" 1"	750	380	647	28.2
JSWm 12M - 60 CL	1" 1"	750	380	647	29.2
JSWm 15M - 60 CL	1" 1"	750	380	647	29.6
JSWm 3CH - 60 CL	1 1/4" 1"	750	380	673	39.4
PLURIJETm 5/90 - 60 CL	1 1/4" 1"	750	380	704	41.1
PLURIJETm 6/90 - 60 CL	1 1/4" 1"	750	380	704	43.2
PLURIJETm 4/100 - 60 CL	1" 1"	750	380	677	28.2
PLURIJETm 3/130 - 60 CL	1 1/4" 1"	750	380	704	39.3
PLURIJETm 4/130 - 60 CL	1 1/4" 1"	750	380	704	41.4