

COMBIPRESS "CB2"

Pressure boosting sets



CB2 - 2CP



CB2 - PLURIJET



CB2 - F

OPERATING PRINCIPLES

COMBIPRESS are twin pump pressure boosting sets supplied pre-assembled and ready to install.

The sets are designed so that the pumps operate automatically in succession as the demand for water increases.

This results in significant energy savings as the second pump only runs at times of high demand.

The lead pump is alternated automatically by the control box.

USES

- Clean water and chemically non-aggressive liquids.
- Water supply: pressure boosting in industrial applications, condominiums, hotels, communities, water treatment plants, campsites, schools, hospitals, barracks, etc
- Irrigation: playing fields in general (football, golf, etc), agricultural cultivation, artificial snow systems.

CONSTRUCTION AND SAFETY STANDARDS

EN 60034-1
IEC 60034-1
CEI 2-3



CERTIFICATIONS



AM30



УкрTECT-003

CONSTRUCTION CHARACTERISTICS

- **PUMPS** complete with suction and delivery manifolds, ball valves and non-return valves
- **BASE** made from sheet metal
- **PRE-INSTALLED** control systems, comprising a pressure gauge and two user-adjustable pressure switches (the factory settings are indicated in the following tables), fitted to the delivery manifold.
- **CONTROL BOX** complete with door-interlock power switch, low voltage pressure switch command circuit, automatic pump alternation function, thermal overload protection and pump start-up protection (prevents the pumps from continuously starting-up as a result of small and brief supply demands).

CB2m: single-phase 230 V - 50 Hz.

CB2: three-phase 230/400 V - 50 Hz up to 4 kW.
400/690 V - 50 Hz from 5.5 to 18.5 kW.

GUARANTEE

1 year subject to terms and conditions

PERFORMANCE DATA

50 Hz n= 2900 1/min HS= 0 m

MODEL	1~	3~	POWER		Q	H metres																
			kW	HP		m³/h	0	1.2	2.4	3.6	4.8	7.2	9.6	10.8	12.0	14.4	15.6	16.8	18.0	19.2		
						l/min	0	20	40	60	80	120	160	180	200	240	260	280	300	320		
CB2 - CP 150	●	●	2x0.75	2x1	H metres	29.5	29	29	28.5	28	26.5	24.5	23	21	15							
CB2 - CP 158	●	●	2x0.75	2x1		36	34	33.5	33	32.5	30	27	25									
CB2 - CP 170	●	●	2x1.1	2x1.5		41	-	-	38	37	35	32	30	27.5	22							
CB2 - CP 170M	●	●	2x1.1	2x1.5		36	-	-	35	34.5	33	31	30	29	26.5	25	23	21	19			
CB2 - CP 190	●	●	2x1.5	2x2		50	-	-	46	44.5	41.5	38	36	34.5	30.5	28	26					
CB2 - CP 200	●	●	2x2.2	2x3		58	-	-	55	54.5	52	49.5	48	46	42.5	40.5	38.5	36				

MODEL	1~	3~	POWER		Q	H metres							
			kW	HP		m³/h	0	6.0	12.0	24.0	36.0	48.0	54.0
						l/min	0	100	200	400	600	800	900
CB2 - CP 220C	●	●	2x2.2	2x3	H metres	32	31.5	31	30	28	24	21	
CB2 - CP 220B	●	●	2x3	2x4		38	37.5	37	36	33.5	29	25	
CB2 - CP 220A	●	●	2x4	2x5.5		49	48.5	48	46	43.5	39.5	36	
CB2 - CP 220AH	●	●	2x5.5	2x7.5		52	51.5	51	49	47	44	42	

MODEL	1~	3~	POWER		Q	H metres															
			kW	HP		m³/h	0	6.0	7.2	8.4	10.8	12.0	13.2	15.0	16.8	19.2	21.6	24.0	26.4	30.0	
						l/min	0	100	120	140	180	200	220	250	280	320	360	400	440	500	
CB2 - CP 25/160B	●	●	2x1.1	2x1.5	H metres	33	32.5	32	31.5	30.5	30	29	28	26.5	24	21.5	18				
CB2 - CP 25/160A	●	●	2x1.5	2x2		38	37	36.8	36.5	35.5	35	34	33	31.5	29.5	27	24	20			
CB2 - CP 25/160AR	●	●	2x2.2	2x3		42	41	41	40.5	39.5	39	38	37	36	34	31	28	24			
CB2 - CP 25/200B	●	●	2x2.2	2x3		49	48	47.5	47	45.5	45	44	43	41	38.5	36	32	28	22		
CB2 - CP 25/200A	●	●	2x3	2x4		57	56	55.8	55.5	54.5	53.5	53	52	50.5	48.5	46	43.5	40	33		

MODEL	1~	3~	POWER		Q	H metres																			
			kW	HP		m³/h	0	2.4	4.8	7.2	9.6	12.0	13.2	15.0	16.8	19.2	21.6	24.0	30.0	36.0	42.0	48.0	54.0		
						l/min	0	40	80	120	160	200	220	250	280	320	360	400	500	600	700	800	900		
CB2 - 2CP 25/130N	●	●	2x0.75	2x1	H metres	42	39	34	28.5	22	15														
CB2 - 2CP 25/140H	●	●	2x1.1	2x1.5		54	53	49	42	34	24														
CB2 - 2CP 160/160	●	●	2x1.5	2x2		66	64	60	53	44	35	30													
CB2 - 2CP 25/140M	●	●	2x1.1	1.5		47	46	44	42	38	34	31	27	22											
CB2 - 2CP 25/160B	●	●	2x1.5	2x2		58	56	54	52	48	44	41	37	33	26										
CB2 - 2CP 25/160A	●	●	2x2.2	2x3		68	66.5	65	62	58	54	51	47	42	35	28									
CB2 - 2CP 32/200C	●	●	2x3	2x4		70	-	66.5	65	63	60.5	59	57	55	52	49.5	46.5	36							
CB2 - 2CP 32/200B	●	●	2x4	2x5.5		85	-	81	79	77	75	74	72	69	66	62	58	49							
CB2 - 2CP 32/210B	●	●	2x5.5	2x7.5		94	-	94	93	91	89	87	85	83	79	75	70	56							
CB2 - 2CP 32/210A	●	●	2x7.5	2x10		112	-	111	110.5	110	108	107	105	102	99	94	89	74							
CB2 - 2CP 40/180C	●	●	2x4	2x5.5		64	-	-	-	-	62	61.3	60.1	59.0	57.5	56	54.5	49	43	35					
CB2 - 2CP 40/180B	●	●	2x5.5	2x7.5		76	-	-	-	-	73	72.5	71.8	71.0	70.0	69	67.5	64	59.5	54	46				
CB2 - 2CP 40/180A	●	●	2x7.5	2x10		88	-	-	-	-	85	84.5	83.8	83.0	82.0	81	79.5	76	72	67	60				
CB2 - 2CP 40/200B	●	●	2x9.2	2x12.5		97	-	-	-	-	94	93.5	92.8	92.0	91.0	90	88	85	80	74	68	61			
CB2 - 2CP 40/200A	●	●	2x11	2x15		105	-	-	-	-	102	101.5	100.8	100.0	99.0	98	97	93	88	83	76	69			

MODEL	1~	3~	POWER		Q	H metres																	
			kW	HP		m³/h	0	0.6	1.2	2.4	3.6	4.8	7.2	8.4	9.6	10.8	12.0	13.2	14.4	15.6			
						l/min	0	10	20	40	60	80	120	140	160	180	200	220	240	260			
CB2 - 3CPm 80E	●	●	2x0.45	2x0.60	H metres	38	36	35	33.5	29	25	15.5	10	5									
CB2 - 4CPm 80E	●	●	2x0.60	2x0.85		50	48	47	43	38.5	33.5	22.5	16	10									
CB2 - 3CPm 100E	●	●	2x0.60	2x0.85		36	35.5	35	33.5	32	30	26	23	20	17	13.5	10	5					
CB2 - 4CPm 100E	●	●	2x0.75	2x1		46	45	44	42	40	38	33	30	26.5	22.5	19	15	10	5				
CB2 - 3CRm 80	●	●	2x0.45	2x0.60		38	36	35	32.5	29	25	15.5	10	5									
CB2 - 4CRm 80	●	●	2x0.60	2x0.85		50	48	47	43	38.5	33.5	22.5	16	10									
CB2 - 3CRm 100	●	●	2x0.60	2x0.85		36	35.5	35	33.5	32	30	25.5	23	20	17	13.5	10	5					

PERFORMANCE DATA

50 Hz n= 2900 1/min HS= 0 m

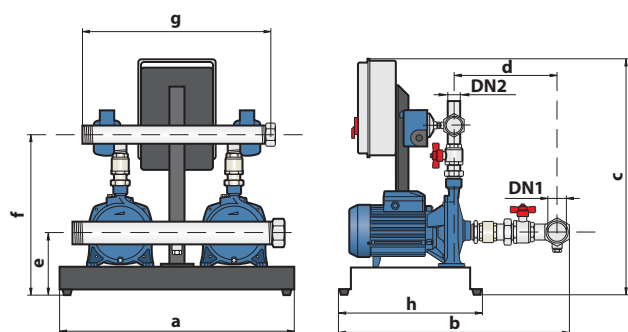
MODEL	1~	3~	POWER		Q	m ³ /h																
			kW	HP		0	1.2	2.4	3.0	4.8	5.4	6.0	7.2	8.4	9.6	12.0	14.4	16.8	19.2			
						l/min	0	20	40	50	80	90	100	120	140	160	200	240	280	320		
CB2 - JSW 10H	●	●	2x0.75	2x1	H metres	56	47	41	39	32	30	28										
CB2 - JCR 10H	●	●	2x0.75	2x1		56	45	37	33	25	23.5	22										
CB2 - JCR 10M	●	●	2x0.75	2x1		46	41	37	35	28	26.5	25	22	21	19							
CB2 - JSW 15H	●	●	2x1.1	2x1.5		70	62	54	51	43	41	38										
CB2 - JSW 3CH	●	●	2x1.1	2x1.5		64	60	51	48	40	39	37	34	31								
CB2 - JSW 3BH	●	●	2x1.5	2x2		76	70	64	61	53	51	49	45	41	39							
CB2 - JSW 3AH	●	●	2x2.2	2x3		96	90	82	79	69	66	64	58	54	50							
CB2 - JSW 3CM	●	●	2x1.1	2x1.5		52	50	45	44	38	37	35	32	29	27	23	20					
CB2 - JSW 3BM	●	●	2x1.5	2x2		60	58	54	52	47	46	45	42	39	37	33	30					
CB2 - JSW 3AM	●	●	2x2.2	2x3		74	70	67	65	59	58	56	54	51	49	44	40					
CB2 - JSW 3CL	●	●	2x1.1	2x1.5		42	40	38	37	34	33	32	30	28	26	23	20	17	15			
CB2 - JSW 3BL	●	●	2x1.5	2x2		51	48	45	44	41	40	39	37	35	33	30	27	24	22			
CB2 - JSW 3AL	●	●	2x2.2	2x3		62	60	57	56	53	52	51	49	47	45	42	39	36.5	35			

MODEL	1~	3~	POWER		Q	m ³ /h																
			kW	HP		0	18.0	36.0	48.0	72.0	96.0	108.0	120.0	144.0	168.0	192.0	216.0	204.0	216.0			
						l/min	0	300	600	800	1200	1600	1800	2000	2400	2800	3200	3600	4000	4200		
CB2 - F 32/200C	●	●	2x4	2x5.5	H metres	46	43	38	34													
CB2 - F 32/200B	●	●	2x5.5	2x7.5		52	50.5	45	41													
CB2 - F 32/200A	●	●	2x7.5	2x10		60	56.5	53.5	50													
CB2 - F 40/200B	●	●	2x5.5	2x7.5		48	46.5	44.5	42	34												
CB2 - F 40/200A	●	●	2x7.5	2x10		56	55	54	52.5	46												
CB2 - F 50/200C	●	●	2x11	2x15		-	-	-	44	44	44	43	42	39	36	33						
CB2 - F 50/200B	●	●	2x15	2x20		-	-	-	52	52	52	51	50	47	44	40						
CB2 - F 50/200A	●	●	2x18.5	2x25		-	-	-	61	61	60.5	60	60	57	54	50	45					
CB2 - F 50/200AR	●	●	2x22	2x30		-	-	-	69	69	68.5	68	68	65	62	58	53					
CB2 - F 50/250D	●	●	2x9.2	2x12.5		-	-	51	49	44	37	32										
CB2 - F 50/250C	●	●	2x11	2x15		-	-	59	58	54	47	42										
CB2 - F 50/250B	●	●	2x15	2x20		-	-	72	71	69	65	62	59									
CB2 - F 50/250A	●	●	2x18.5	2x25		-	-	85	84	82	78	76	73									
CB2 - F 50/250AR	●	●	2x22	2x30		-	-	95	94	92	88	86	83									
CB2 - F 65/200B	●	●	2x15	2x20		-	-	-	45	45	45	45	45	44	42.5	41	38.5	35.5				
CB2 - F 65/200A	●	●	2x18.5	2x25		-	-	-	51	51	51	51	51	50	49	47	44.5	41.5	40			
CB2 - F 65/200AR	●	●	2x22	2x30		-	-	-	57	57	57	57	57	56	55	53	50.5	47.5	46			

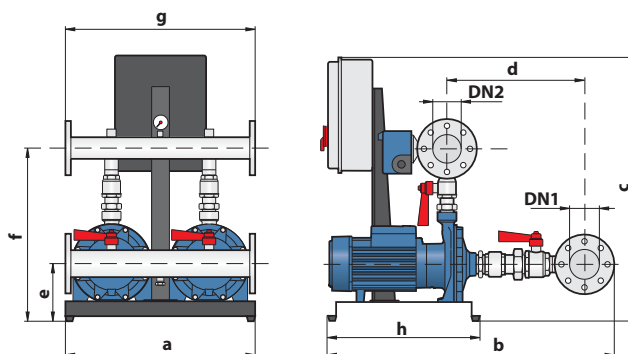
MODEL	1~	3~	POWER		Q	m ³ /h																
			kW	HP		0	0.6	1.2	2.4	4.8	7.2	9.6	12.0	14.4	15.6	16.8	19.2	21.6	24.0			
						l/min	0	10	20	40	80	120	160	200	240	260	280	320	360	400		
CB2 - PLURIJET 4/80	●	●	2x0.60	2x0.85	H metres	50	48	47	43	33.5	22.5	10										
CB2 - PLURIJET 3/100	●	●	2x0.60	2x0.85		36	35.5	35	33.5	30	26	20	13.5	5								
CB2 - PLURIJET 4/100	●	●	2x0.75	2x1		46	45	44	42	38	33	26.5	19	10	5							
CB2 - PLURIJET 5/90	●	●	2x1.1	2x1.5		76	76	73.5	70	60.5	47	33										
CB2 - PLURIJET 6/90	●	●	2x1.5	2x2		93	93	90.5	86	74.5	59.5	43										
CB2 - PLURIJET 3/130	●	●	2x1.1	2x1.5		49	49	48.5	47.5	45	42.5	38.5	33.5	27	24							
CB2 - PLURIJET 4/130	●	●	2x1.5	2x2		65	65	64	63	60	56	50	43	35	31							
CB2 - PLURIJET 5/130	●	●	2x1.8	2x2.5		81	81	80.5	79	75	70	62.5	54	44	39							
CB2 - PLURIJET 6/130	●	●	2x2.2	2x3		97	97	96.5	94.5	90	83	74.5	64	52	46							
CB2 - PLURIJET 3/200	●	●	2x1.1	2x1.5		44	43.5	43.5	43	42	40.5	38	35	31	29	27.5	23	18	13			
CB2 - PLURIJET 4/200	●	●	2x1.5	2x2		58	57.5	57.5	57	55	52.5	49.5	45	40	38	35.5	30	24	17			
CB2 - PLURIJET 5/200	●	●	2x1.8	2x2.5		73	72	71.5	71	69	65.5	62	56.5	51	48	44.5	38	30	22			
CB2 - PLURIJET 6/200	●	●	2x2.2	2x3		87	86	85.5	85	82	78	73	67	60	57	53	45	36	26			

MODEL	1~	3~	POWER		Q	m ³ /h																
			kW	HP		0	1.2	2.4	3.6	4.8	6	7.2	8.4	9.6	10.8	12	13.2	14.4				
						l/min	0	20	40	60	80	100	120	140	160	180	200	220	240			
CB2 - VL 2/3	●	●	2x0.75	2x1	H metres	60	58	55	51	47	42	36	30	23								
CB2 - VL 2/4	●	●	2x1.1	2x1.5		84	80	75	70	65	59	51	42.5	34								
CB2 - VL 2/5	●	●	2x1.5	2x2		90	87	83	78	73	66	58	48	38								
CB2 - VL 4/2	●	●	2x0.75	2x1		50	-	48	46	44	41	38	35	32	28	24	19	14				
CB2 - VL 4/3	●	●	2x1.1	2x1.5		67	-	65	62.5	60	56.5	52	48	44	38	32	25	18				
CB2 - VL 4/4	●	●	2x1.5	2x2		75	-	72	69	66	64	60	57	53	48	43	38	32				
CB2 - VL 4/5	●	●	2x2.2	2x3	105	-	101	98	94	90	86	80	75	67	60	52	44					

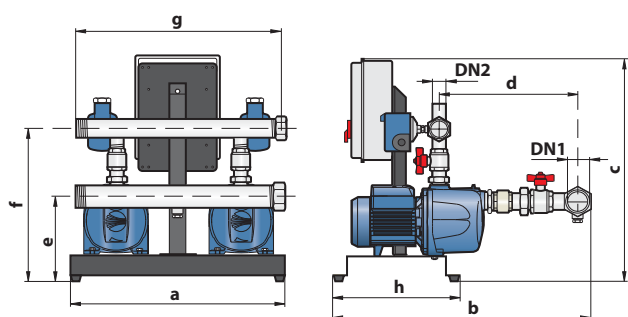
DIMENSIONS AND WEIGHT



CB2 - CP



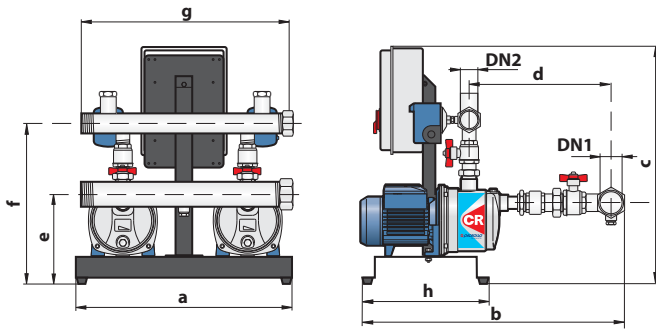
CB2 - 2CP



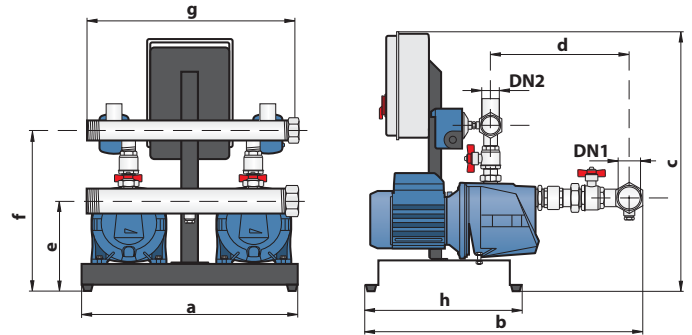
CB2 - 3÷4CP

MODEL		PORTS		DIMENSIONS mm									kg		
Single-phase	Three-phase	DN1	DN2	a	b	c	d	e	f	g	h	1~	3~		
CB2 - CPm 150	CB2 - CP 150	1½"	1½"	520	560	620	255	160	450	500	305	45.0	43.8		
CB2 - CPm 158	CB2 - CP 158											45.0	45.5		
CB2 - CPm 170	CB2 - CP 170	2	1½"	615	625	630	280	190	480	500	370	65.0	64.3		
CB2 - CPm 170M	CB2 - CP 170M						65.0					64.3			
CB2 - CPm 190	CB2 - CP 190	100	80	700	1000	780	300	220	650	700	560	77.0	76.0		
-	CB2 - CP 200						-					80.0			
-	CB2 - CP 220C	100	80	700	1000	780	430	220	650	700	560	-	173.0		
-	CB2 - CP 220B											-	175.0		
-	CB2 - CP 220A											-	181.0		
-	CB2 - CP 220AH											-	181.0		
CB2 - CPm 25/160B	CB2 - CP 25/160B	2	1½"	615	645	630	320	280	480	500	370	70.0	69.0		
CB2 - CPm 25/160A	CB2 - CP 25/160A											70.0	69.0		
-	CB2 - CP 25/160AR						-	70.0							
-	CB2 - CP 25/200A-B						-	83.0							
CB2 - 2CPm 25/130N	CB2 - 2CP 25/130N	1½"	1½"	520	600	620	300	155	420	500	305	51.0	50.5		
CB2 - 2CPm 25/140H	CB2 - 2CP 25/140H						595	330	170			455	67.5	67.0	
CB2 - 2CPm 25/140M	CB2 - 2CP 25/140M	2	1½"	615	625	630	350	190	495	500	370	67.5	67.0		
CB2 - 2CPm 160/160	CB2 - 2CP 160/160						630					385	77.5	77.0	
CB2 - 2CPm 25/160B	CB2 - 2CP 25/160B	100	80	700	980	780	420	210	610	700	565	77.5	77.0		
-	CB2 - 2CP 25/160A											-	80.0		
-	CB2 - 2CP 32/200C	3	2	700	910	780	400	200	600	700	565	-	119.0		
-	CB2 - 2CP 32/200B											-	125.0		
-	CB2 - 2CP 32/210B	100	80	700	920	895	430	200	590	700	565	-	156.0		
-	CB2 - 2CP 32/210A											-	163.0		
-	CB2 - 2CP 40/180C	100	80	700	980	780	420	210	610	700	565	-	175.0		
-	CB2 - 2CP 40/180B											-	185.0		
-	CB2 - 2CP 40/180A	100	80	700	980	780	420	230	630	700	565	-	195.0		
-	CB2 - 2CP 40/200A-B											-	255.0		
CB2 - 3CPm 80E	-	1½"	1½"	520	600	620	300	155	420	500	305	51.0	-		
CB2 - 3CPm100E	-											596	350	170	445
CB2 - 4CPm 80E	-						595	630	330			170	455	67.5	-
CB2 - 4CPm100E	-						670	340	190			495	77.5	-	

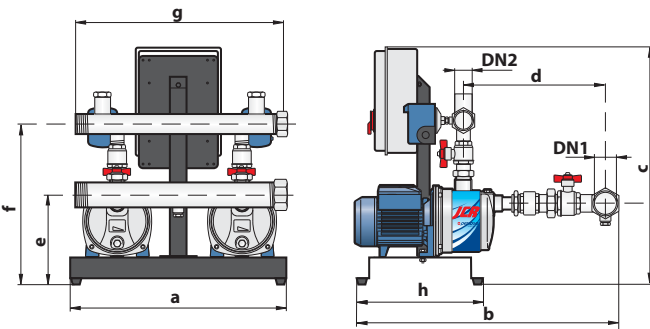
DIMENSIONS AND WEIGHT



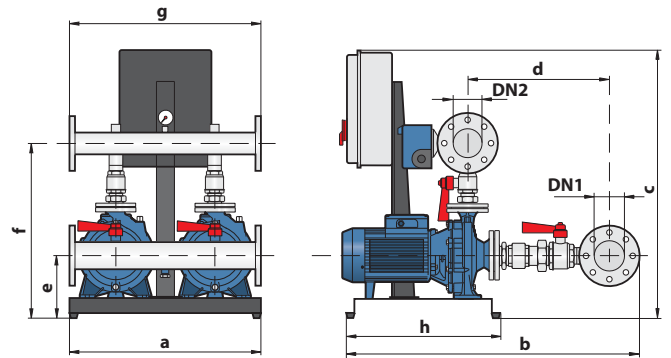
CB2 - 3÷4CR



CB2 - JSW



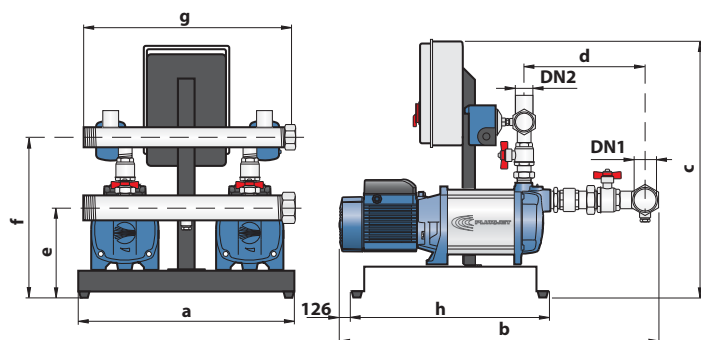
CB2 - JCR



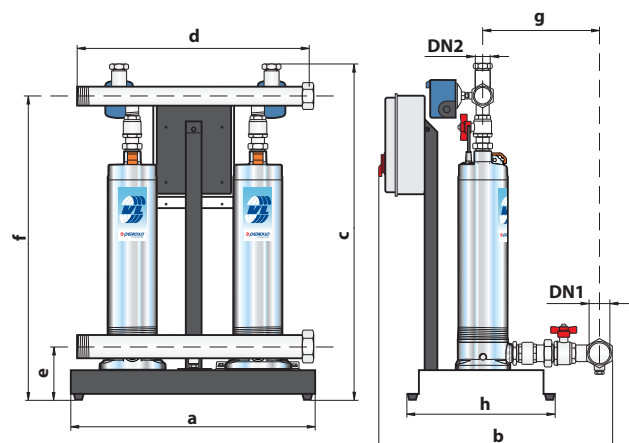
CB2 - F

MODEL		PORTS		DIMENSIONS mm								kg		
Single-phase	Three-phase	DN1	DN2	a	b	c	d	e	f	g	h	1~	3~	
CB2 - 3CRm 80	-	1½"	1½"	520	600	620	300	155	420	500	305	51.0	-	
CB2 - 3CRm 100	-				596		350	170	445			67.5	-	
CB2 - 4CRm 80	-				595		330	455	67.5			-		
CB2 - JSWm 10H-15H	CB2 - JSW 10H-15H				630		340	220	400			48.0	47.5	
CB2 - JCRm 10H-10M	CB2 - JCR 10H-10M	700	350	210	420	41.0	40.5							
CB2 - JSWm 3CH-CM-CL	CB2 - JSW 3CH-CM-CL	2"	1"	710	780	895	440	230	660	700	565	78.5	76.5	
CB2 - JSWm 3BH-BM-BL	CB2 - JSW 3BH-BM-BL											710	400	230
-	CB2 - JSW 3AH-AM-AL	100	80	700	910	780	895	440	230	660	700	565	-	78.5
-	CB2 - F 32/200C												-	161.0
-	CB2 - F 32/200B												-	173.0
-	CB2 - F 32/200A												-	181.0
-	CB2 - F 40/200B	125	100	800	920	780	440	230	660	700	565	-	182.0	
-	CB2 - F 40/200A											-	189.0	
-	CB2 - F 50/200C											-	383.0	
-	CB2 - F 50/200B											-	415.0	
-	CB2 - F 50/200A-AR	125	100	800	1200	1330	450	310	725	800	700	-	440.0-464.0	
-	CB2 - F 50/250D											-	398.0	
-	CB2 - F 50/250C											-	408.0	
-	CB2 - F 50/250B											-	442.0	
-	CB2 - F 50/250A-AR	150	125	1300	520	320	800	780	800	780	780	-	468.0-488.0	
-	CB2 - F 65/200B											-	455.0	
-	CB2 - F 65/200A-AR											-	475.0-530.0	

DIMENSIONS AND WEIGHT



CB2 - PLURIJET



CB2 - VL

MODEL		PORTS		DIMENSIONS mm								kg	
Single-phase	Three-phase	DN1	DN2	a	b	c	d	e	f	g	h	1~	3~
CB2 - PLURIJETm 3/100	-	1½"	1½"	520	596	630	350	170	445	500	305	67.5	-
CB2 - PLURIJETm 4/80	595				455							67.5	-
CB2 - PLURIJETm 4/100	670				495							77.5	-
CB2 - PLURIJETm 5/90	CB2 - PLURIJET 5/90	2"	1½"	700	929	780	340	230	395	500	560	88.2	83.8
CB2 - PLURIJETm 6/90	CB2 - PLURIJET 6/90				960							92.4	90.6
CB2 - PLURIJETm 3/130	CB2 - PLURIJET 3/130				866							84.6	80.8
CB2 - PLURIJETm 4/130	CB2 - PLURIJET 4/130				897							88.8	86.8
-	CB2 - PLURIJET 5/130				929							-	90.8
-	CB2 - PLURIJET 6/130				960							-	92.6
CB2 - PLURIJETm 3/200	CB2 - PLURIJET 3/200				866							84.6	80.8
CB2 - PLURIJETm 4/200	CB2 - PLURIJET 4/200				897							88.8	86.8
-	CB2 - PLURIJET 5/200				-							-	90.8
-	CB2 - PLURIJET 6/200				960							-	92.6
CB2 - VLm 2/3 - 4/2 (1)	-	2"	2"	615	925	500	125	855	325	370	69.6	-	
-	CB2 - VL 2/3 - 4/2 (1)				895						-	67.4	
CB2 - VLm 2/4 (1)	CB2 - VL 2/4 (1)				972						902	73.6	71.4
CB2 - VLm 4/3 (1)	CB2 - VL4/3 (1)				968						898	91.0	87.0
CB2 - VLm 2/5 (1)	CB2 - VL 2/5 (1)				910						840	90.0	86.0
CB2 - VLm 4/4 (1)	CB2 - VL 4/4 (1)				1030						973	108.0	100.0
CB2 - VLm 4/5 (1)	CB2 - VL 4/5 (1)				-						-	-	-
-	-				-						-	-	-

(1) Groups with stainless steel manifolds