

CP-ST

Stainless steel centrifugal pumps

CP-ST4

Pump body: **stainless steel AISI 304**
Impeller: **stainless steel AISI 304**
Shaft: **stainless steel AISI 431**

CP-ST6

Pump body: **stainless steel AISI 316L**
Impeller: **stainless steel AISI 316L**
Shaft: **stainless steel AISI 316L**

 Clean water

 Domestic use

 Agricultural use

 Industrial use



PERFORMANCE RANGE

- Maximum flow rate **160 l/min** (9.6 m³/h)
- Maximum head **41 m**

APPLICATION LIMITS

- Manometric suction lift up to **7 m**
- Liquid temperature between **-10 °C** and **+90 °C**
- Ambient temperature between **+40 °C**
- Max. working pressure:
 - **6 bar** for CP 100-130-132-150-158 ST4
CP 100-130-132-150-158 ST6
 - **8 bar** for CP 170-170M ST4
CP 170-170M ST6
- Continuous service **S1**

CONSTRUCTION AND SAFETY STANDARDS

EN 60335-1
IEC 60335-1
CEI 61-150

EN 60034-1
IEC 60034-1
CEI 2-3



EU REGULATION N. 547/2012

CERTIFICATIONS

Company with management system certified DNV
ISO 9001: QUALITY
ISO 14001: ENVIRONMENT



INSTALLATION AND USE

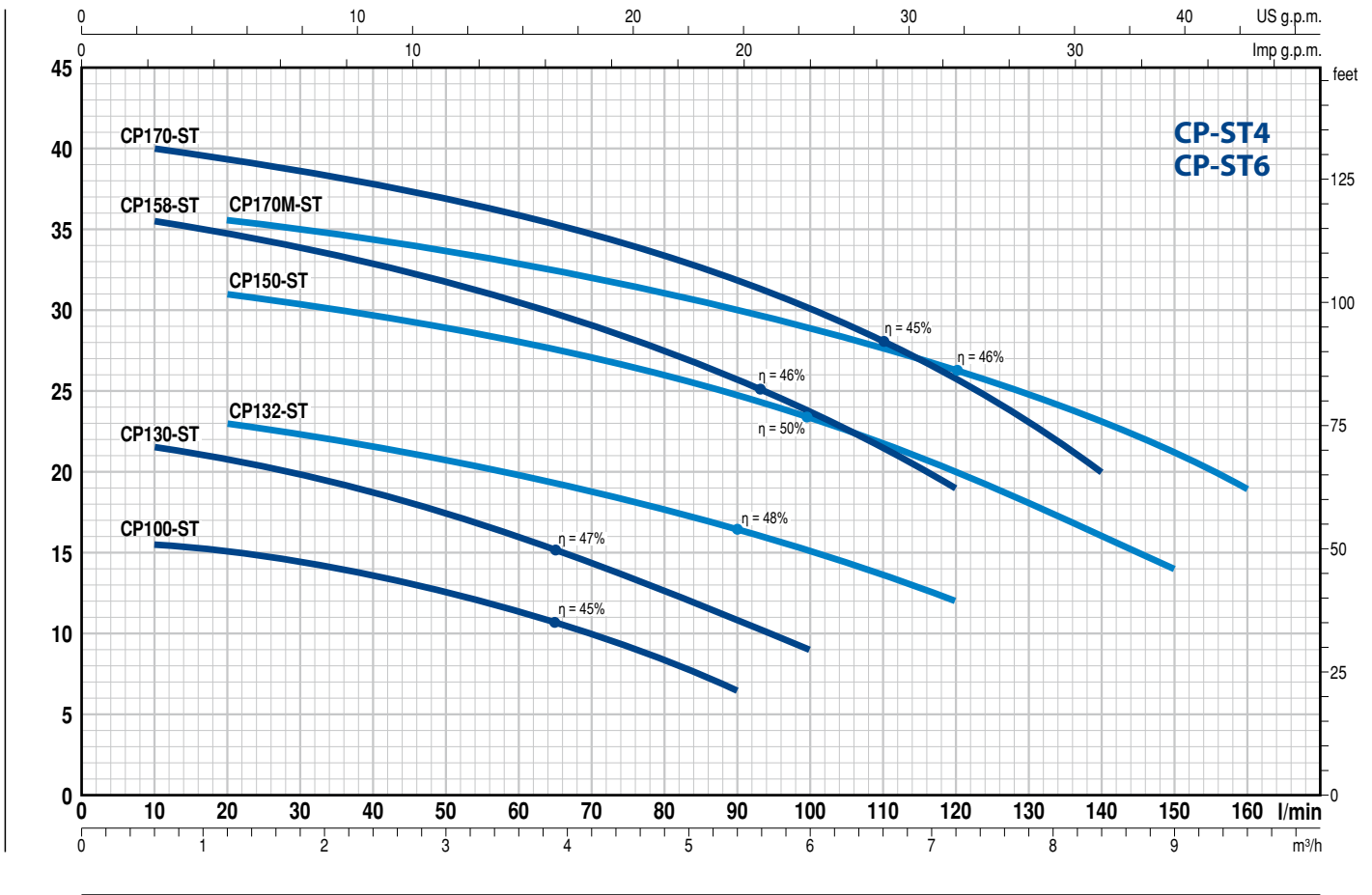
Suitable for use with clean water and with liquids that are not chemically aggressive towards the materials from which the pump is made. Because of its design features these centrifugal pumps are recommended for use in domestic, agricultural and industrial applications. All the components in contact with the pumped liquid are in stainless steel AISI 304 or AISI 316L thus guaranteeing complete hygiene and maximum resistance against corrosion. The pump should be installed in an enclosed environment or sheltered from inclement weather.

OPTIONS AVAILABLE ON REQUEST

- Special mechanical seal
- Other voltages or 60 Hz frequency
- IP X5 class protection for CP 170-ST, CP 170M-ST

CHARACTERISTIC CURVES AND PERFORMANCE DATA

50 Hz n = 2900 min⁻¹ HS = 0 m



MODEL		POWER (P ₂)		Q	H metres															
Single-phase	Three-phase	kW	HP ▲		m ³ /h	0	0.6	1.2	2.4	3.6	4.8	5.4	6.0	7.2	8.4	9.0	9.6			
				l/min	0	10	20	40	60	80	90	100	120	140	150	160				
CPm 100-ST4 CPm 100-ST6	CP 100-ST4 CP 100-ST6	0.25	0.33	H metres	16	15.5	15	13.5	11.2	8.2	6.5									
CPm 130-ST4 CPm 130-ST6	CP 130-ST4 CP 130-ST6	0.37	0.50		22.5	21.5	20.8	18.8	16	12.5	10.8	9								
CPm 132-ST4 CPm 132-ST6	CP 132-ST4 CP 132-ST6	0.55	0.75		24	-	23	21.5	19.8	17.8	16.5	15	12							
CPm 150-ST4 CPm 150-ST6	CP 150-ST4 CP 150-ST6	0.75	1		32	-	31	29.8	28	26	24.8	23.2	20	16	14					
CPm 158-ST4 CPm 158-ST6	CP 158-ST4 CP 158-ST6	0.75	1		36.5	35.5	34.5	33	31	29	26.2	23	19							
CPm 170-ST4 CPm 170-ST6	CP 170-ST4 CP 170-ST6	1.1	1.5		41	40	39.2	37.8	36	33.2	32	30	25.8	20						
CPm 170M-ST4 CPm 170M-ST6	CP 170M-ST4 CP 170M-ST6	1.1	1.5		36.5	-	35.5	34.3	33	31	30	29	31.2	23	21	19				

Q = Flow rate H = Total manometric head HS = Suction height

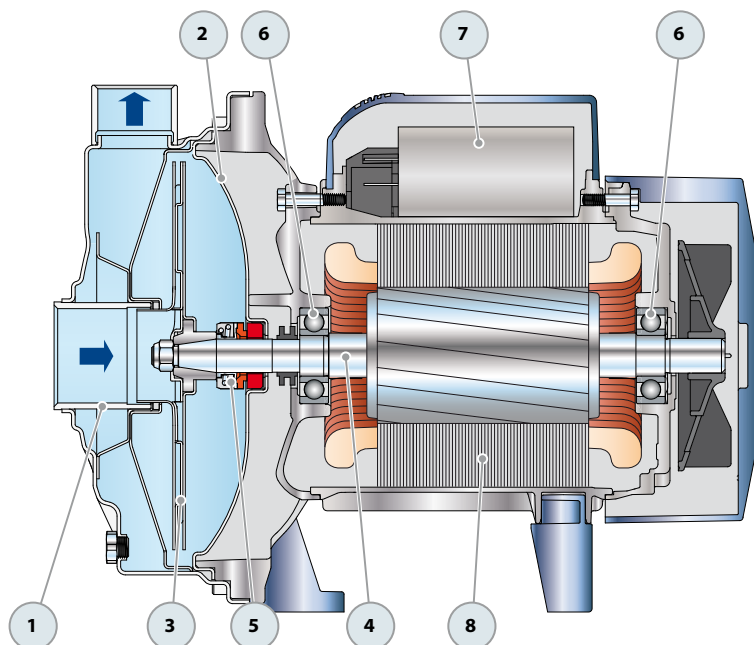
Tolerance of characteristic curves in compliance with EN ISO 9906 Grado 3B.

▲ Performance class of the three-phase motor (IEC 60034-30-1)

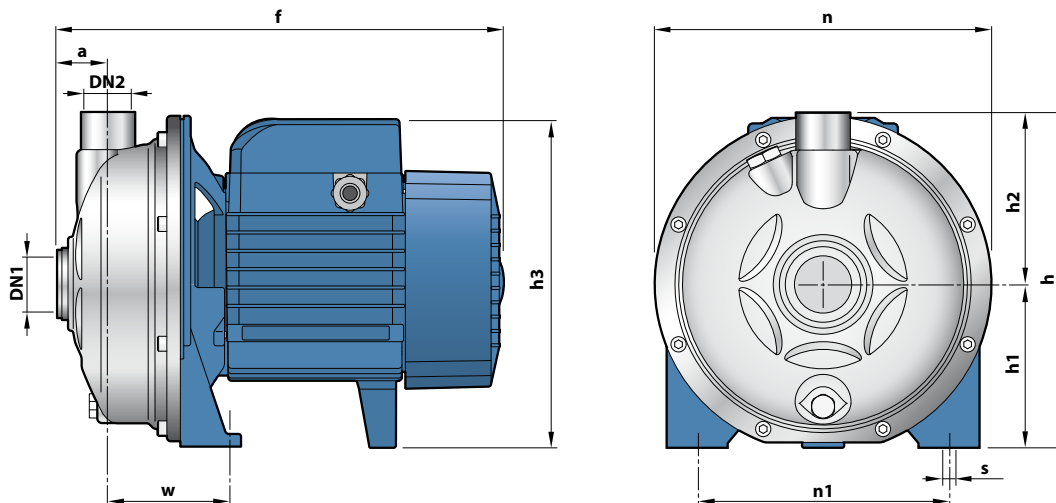
CP-ST4

POS. COMPONENT CONSTRUCTION CHARACTERISTICS

1	PUMP BODY	Stainless steel AISI 304							
2	BODY BACKPLATE	Stainless steel AISI 304							
3	IMPELLER	Stainless steel AISI 304							
4	MOTOR SHAFT	Stainless steel AISI 431							
5	MECHANICAL SEAL	<i>Pump</i>	<i>Seal</i>	<i>Shaft</i>	<i>Materials</i>				
		<i>Model</i>	<i>Model</i>	<i>Diameter</i>	<i>Stationary ring</i>	<i>Rotational ring</i>	<i>Elastomer</i>	<i>Spring</i>	
		CP 100-ST4 CP 130-ST4 CP 132-ST4	AR-12	Ø 12 mm	Ceramic	Graphite	NBR	AISI 304	
		CP 150-ST4 CP 158-ST4	AR-14	Ø 14 mm	Ceramic	Graphite	NBR	AISI 304	
		CP 170-ST4 CP 170M-ST4	FN-18	Ø 18 mm	Graphite	Ceramic	NBR	AISI 316	
		6	BEARINGS	<i>Pump</i>	<i>Model</i>				
		CP 100-ST4 CP 130-ST4 CP 132-ST4	6201 ZZ / 6201 ZZ						
CP 150-ST4 CP 158-ST4	6203 ZZ / 6203 ZZ								
CP 170-ST4 CP 170M-ST4	6204 ZZ / 6204 ZZ								
7	CAPACITOR	<i>Pump</i>	<i>Capacitance</i>						
		<i>Single-phase</i>	<i>(220-230 V or 240 V)</i>						
		CPm 100-ST4	10 µF - 450 VL						
		CPm 130-ST4	10 µF - 450 VL						
		CPm 132-ST4	14 µF - 450 VL						
		CPm 150-ST4 CPm 158-ST4	20 µF - 450 VL						
		CPm 170-ST4 CPm 170M-ST4	25 µF - 450 VL						
8	ELECTRIC MOTOR	CPm-ST4: single-phase 220-230 V - 50 Hz with thermal overload protector incorporated into the winding.							
		CP-ST4: trifase 230/400 V - 50 Hz.							
<p>→ The three-phase pumps are fitted with high performance motors up to P₂=0.55kW in class IE2 and from P₂=0.75 kW in class IE3 (IEC 60034-30-1)</p> <ul style="list-style-type: none"> - Insulation: class F - Protection: IP X4 									



DIMENSIONS AND WEIGHT



MODEL		PORTS		DIMENSIONS mm										kg	
Single-phase	Three-phase	DN1	DN2	a	f	h	h1	h2	h3	n	n1	w	s	1~	3~
CPm 100-ST4	CP 100-ST4	1¼"	1"	31.5	260	185.5	92	93.5	183	182	120	68.5	9	5.6	5.6
CPm 130-ST4	CP 130-ST4													6.5	6.5
CPm 132-ST4	CP 132-ST4													7.2	6.5
CPm 150-ST4	CP 150-ST4			33.5	295	219	107	112	218 *	221	165	80.5	9.5	10.8	10.8
CPm 158-ST4	CP 158-ST4													14.5	14.5
CPm 170-ST4	CP 170-ST4													14.5	14.5
CPm 170M-ST4	CP 170M-ST4	33.5	368	237.5	120	117.5	251	245	180	86.5	11	14.5	14.5		

(*) h3=237 mm for single phase versions at 110 V

ABSORPTION

MODEL	VOLTAGE
Single-phase	230 V
CPm 100-ST4	2.0 A
CPm 130-ST4	3.0 A
CPm 132-ST4	3.7 A
CPm 150-ST4	6.0 A
CPm 158-ST4	6.0 A
CPm 170-ST4	7.8 A
CPm 170M-ST4	7.8 A

MODEL	VOLTAGE	
Three-phase	230 V	400 V
CP 100-ST4	1.7 A	1.0 A
CP 130-ST4	1.9 A	1.1 A
CP 132-ST4	2.3 A	1.3 A
CP 150-ST4	4.2 A	2.4 A
CP 158-ST4	4.2 A	2.4 A
CP 170-ST4	5.7 A	3.3 A
CP 170M-ST4	5.7 A	3.3 A

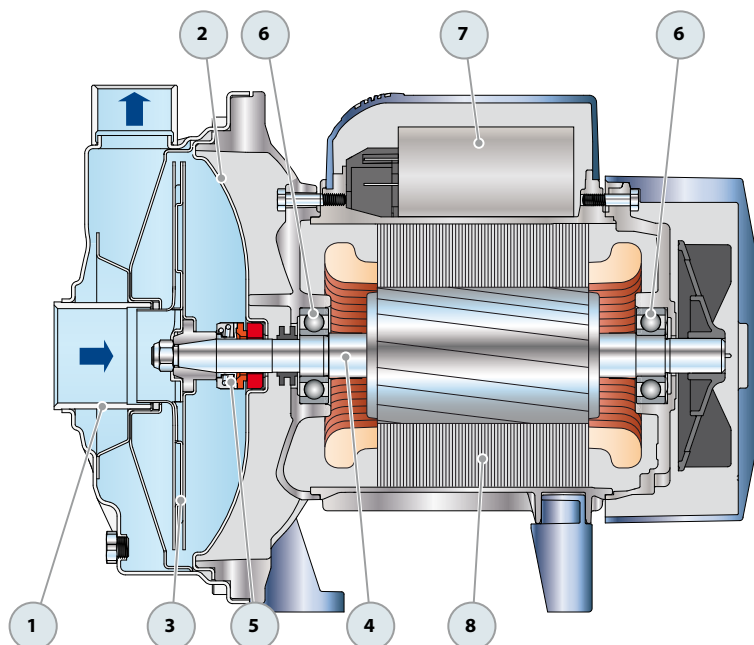
PALLETIZATION

MODEL		GROUPAGE	CONTAINER
Single-phase	Three-phase	n. pumps	n. pumps
CPm 100-ST4	CP 100-ST4	96	144
CPm 130-ST4	CP 130-ST4		
CPm 132-ST4	CP 132-ST4		
CPm 150-ST4	CP 150-ST4	50	80
CPm 158-ST4	CP 158-ST4		
CPm 170-ST4	CP 170-ST4	45	63
CPm 170M-ST4	CP 170M-ST4		

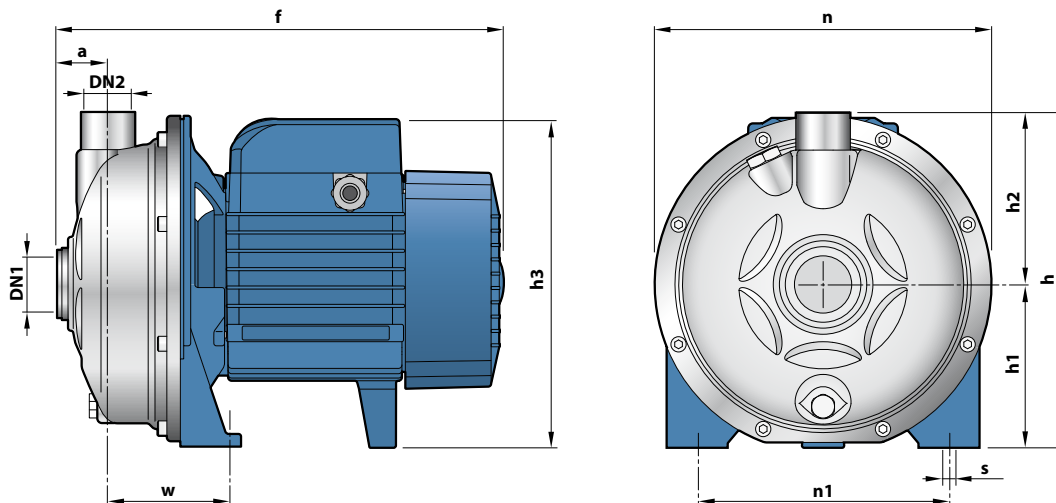
CP-ST6

POS. COMPONENT CONSTRUCTION CHARACTERISTICS

1	PUMP BODY	Stainless steel AISI 316L						
2	BODY BACKPLATE	Stainless steel AISI 316L						
3	IMPELLER	Stainless steel AISI 316L						
4	MOTOR SHAFT	Stainless steel AISI 316L						
5	MECHANICAL SEAL	<i>Pump</i>	<i>Seal</i>	<i>Shaft</i>	<i>Materials</i>			
		<i>Model</i>	<i>Model</i>	<i>Diameter</i>	<i>Stationary ring</i>	<i>Rotational ring</i>	<i>Elastomer</i>	<i>Spring</i>
		CP 100-ST6	AR-12ST6	Ø 12 mm	Ceramic	Graphite	NBR	AISI 316
		CP 130-ST6						
		CP 132-ST6						
		CP 150-ST6	AR-14ST6	Ø 14 mm	Ceramic	Graphite	NBR	AISI 316
		CP 158-ST6						
		CP 170-ST6	FN-18ST6	Ø 18 mm	Graphite	Ceramic	NBR	AISI 316
CP 170M-ST6								
6	BEARINGS	<i>Pump</i>	<i>Model</i>					
		CP 100-ST6	6201 ZZ / 6201 ZZ					
		CP 130-ST6						
		CP 132-ST6						
		CP 150-ST6	6203 ZZ / 6203 ZZ					
		CP 158-ST6						
		CP 170-ST6	6204 ZZ / 6204 ZZ					
CP 170M-ST6								
7	CAPACITOR	<i>Pump</i>	<i>Capacitance</i>					
		<i>Single-phase</i>	<i>(220-230 V or 240 V)</i>					
		CPm 100-ST6	10 µF - 450 VL					
		CPm 130-ST6	10 µF - 450 VL					
		CPm 132-ST6	14 µF - 450 VL					
		CPm 150-ST6	20 µF - 450 VL					
		CPm 158-ST6	25 µF - 450 VL					
		CPm 170-ST6						
CPm 170M-ST6								
8	ELECTRIC MOTOR	CPm-ST6: single-phase 220-230 V - 50 Hz with thermal overload protector incorporated into the winding.						
		CP-ST6: trifase 230/400 V - 50 Hz.						
<p>→ The three-phase pumps are fitted with high performance motors up to P₂=0.55kW in class IE2 and from P₂=0.75 kW in class IE3 (IEC 60034-30-1)</p> <p>- Insulation: class F - Protection: IP X4</p>								



DIMENSIONS AND WEIGHT



MODEL		PORTS		DIMENSIONS mm										kg	
Single-phase	Three-phase	DN1	DN2	a	f	h	h1	h2	h3	n	n1	w	s	1~	3~
CPm 100-ST6	CP 100-ST6	1 1/4"	1"	31.5	260	185.5	92	93.5	183	182	120	68.5	9	5.6	5.6
CPm 130-ST6	CP 130-ST6													6.5	6.5
CPm 132-ST6	CP 132-ST6													7.2	6.5
CPm 150-ST6	CP 150-ST6			33.5	295	219	107	112	218 *	221	165	80.5	9.5	10.8	10.8
CPm 158-ST6	CP 158-ST6														
CPm 170-ST6	CP 170-ST6														
CPm 170M-ST6	CP 170M-ST6														
		33.5	368	237.5	120	117.5	251	245	180	86.5	11	14.5	14.5		

(*) h3=237 mm for single phase versions at 110 V

ABSORPTION

MODEL	VOLTAGE
Single-phase	230 V
CPm 100-ST6	2.0 A
CPm 130-ST6	3.0 A
CPm 132-ST6	3.7 A
CPm 150-ST6	6.0 A
CPm 158-ST6	6.0 A
CPm 170-ST6	7.8 A
CPm 170M-ST6	7.8 A

MODEL	VOLTAGE	
Three-phase	230 V	400 V
CP 100-ST6	1.7 A	1.0 A
CP 130-ST6	1.9 A	1.1 A
CP 132-ST6	2.3 A	1.3 A
CP 150-ST6	4.2 A	2.4 A
CP 158-ST6	4.2 A	2.4 A
CP 170-ST6	5.7 A	3.3 A
CP 170M-ST6	5.7 A	3.3 A

PALLETIZATION

MODEL		GROUPAGE	CONTAINER
Single-phase	Three-phase	n. pumps	n. pumps
CPm 100-ST6	CP 100-ST6	96	144
CPm 130-ST6	CP 130-ST6		
CPm 132-ST6	CP 132-ST6		
CPm 150-ST6	CP 150-ST6	50	80
CPm 158-ST6	CP 158-ST6		
CPm 170-ST6	CP 170-ST6	45	63
CPm 170M-ST6	CP 170M-ST6		