



### PERFORMANCE RANGE

- Flow rate up to **45 l/min** (2.7 m<sup>3</sup>/h)
- Head up to **105 m**

### APPLICATION LIMITS

- Manometric suction lift up to **8 m**
- Liquid temperature between **-10 °C** and **+90 °C**
- Ambient temperature between **-10 °C** and **+50 °C**
- Max. working pressure **10 bar**
- Continuous service **S1**

### CONSTRUCTION AND SAFETY STANDARDS

EN 60335-1  
IEC 60335-1  
CEI 61-150

EN 60034-1  
IEC 60034-1  
CEI 2-3



### CERTIFICATIONS

Company with management system certified DNV  
ISO 9001: QUALITY  
ISO 14001: ENVIRONMENT AND SAFETY



### INSTALLATION AND USE

Suitable for use with clean water that does not contain abrasive particles and with liquids that are not chemically aggressive towards the materials from which the pump is made. The design features of these particularly compact brass pumps provide a guarantee against rust and oxidation; they are therefore recommended for industrial applications such as cooling and air conditioning. The pump should be installed in an enclosed environment or sheltered from inclement weather.

### PATENTS - TRADE MARKS - MODELS

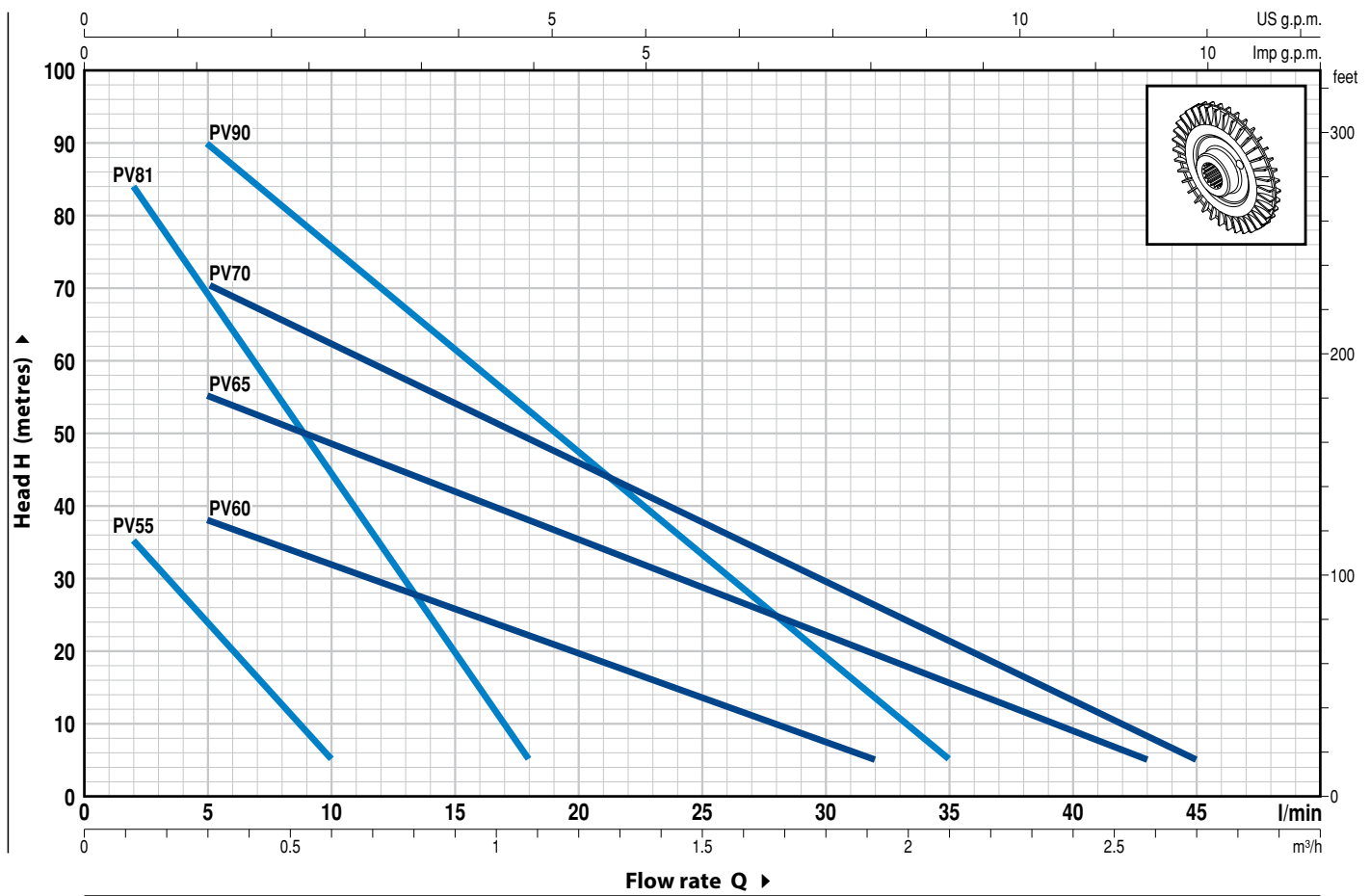
- Shaft: patent n. 0000275945 (PV55, PV60, PV65)

### OPTIONS AVAILABLE ON REQUEST

- Special mechanical seal
- EN 10088-3 - 1.4401 (AISI 316) stainless steel pump shaft
- Other voltages or 60 Hz frequency
- IP X5 class protection for PV70-90

### CHARACTERISTIC CURVES AND PERFORMANCE DATA

50 Hz n= 2900 rpm HS= 0 m



MODEL		POWER (P <sub>2</sub> )		Q	Q										
Single-phase	Three-phase	kW	HP		m <sup>3</sup> /h	0	0.12	0.18	0.24	0.30	0.36	0.42	0.48	0.54	0.60
					l/min	0	2	3	4	5	6	7	8	9	10
PVm 55	PV 55	0.18	0.25	H metres	50 Hz	42	35	31	27.5	24	20	16	12.5	9	5
					60 Hz	55	46	41.5	37	32.5	28	23.5	19	14.5	10

⇒ The Pvm55 e PV55 pumps are designed to work at both 50 and 60 Hz

MODEL		POWER (P <sub>2</sub> )		Q	Q												
Single-phase	Three-phase	kW	HP		m <sup>3</sup> /h	0	0.3	0.6	0.9	1.2	1.5	1.8	1.9	2.1	2.4	2.6	2.7
					l/min	0	5	10	15	20	25	30	32	35	40	43	45
PVm 60	PV 60	0.37	0.50	H metres	45	38	31.5	25.5	19.5	13.5	7.5	5					
PVm 65	PV 65	0.55	0.75		60	55	48.5	41.5	35	28.5	22	19.5	15.5	9	5		
PVm 70	PV 70	0.75	1		80	70	61.5	53.5	45.5	37.5	29	26	21.5	13	8	5	
PVm 90	PV 90	0.75	1		105	90	75.5	61.5	47.5	33	19	13.5	5				

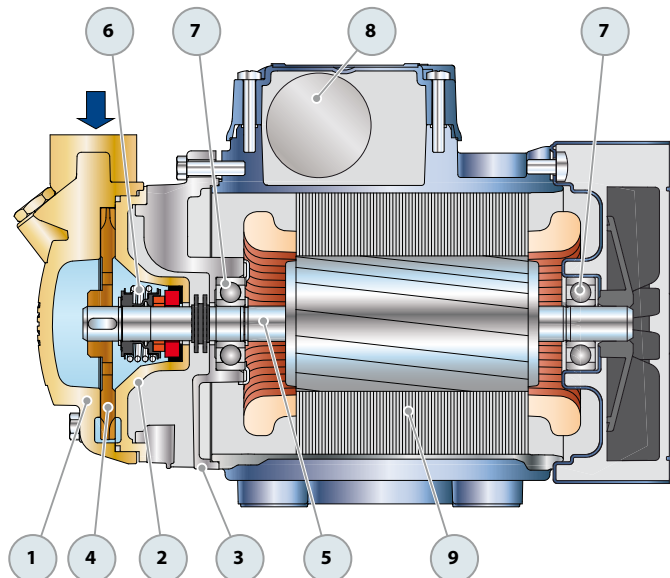
MODEL		POWER (P <sub>2</sub> )		Q	Q									
Single-phase	Three-phase	kW	HP		m <sup>3</sup> /h	0	0.12	0.24	0.30	0.36	0.48	0.60	0.84	1.08
					l/min	0	2	4	5	6	8	10	14	18
PVm 81	PV 81	0.37	0.50	H metres	92	84	74	69	64	54.5	44.5	25	5	

Q = Flow rate H = Total manometric head HS = Suction height

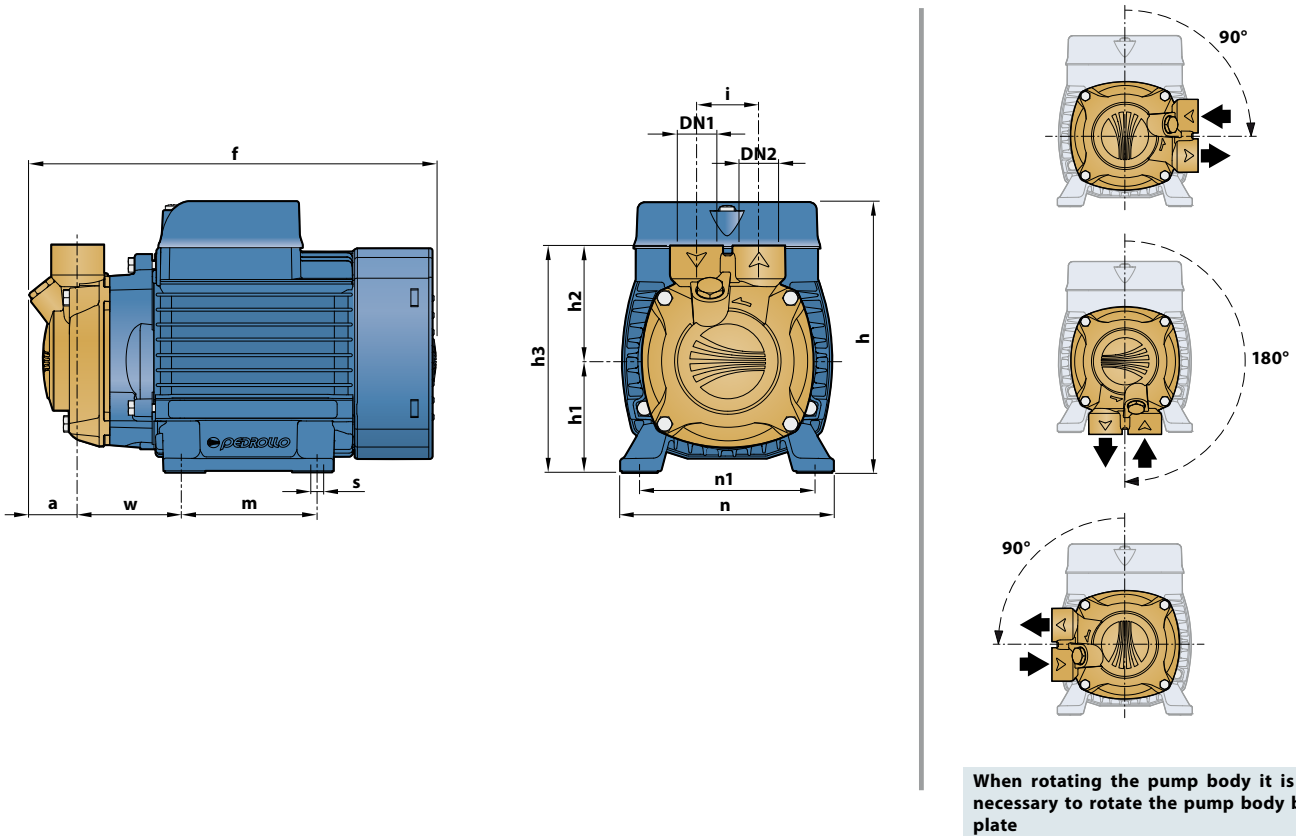
Tolerance of characteristic curves in compliance with EN ISO 9906 Grade 3B.

## POS. COMPONENT CONSTRUCTION CHARACTERISTICS

1	<b>PUMP BODY</b>	Brass complete with threaded ports in compliance with ISO 228/1				
2	<b>PUMP BODY BACK-PLATE</b>	Brass				
3	<b>MOTOR BRACKET</b>	Aluminium				
4	<b>IMPELLER</b>	Brass with peripheral radial vanes				
5	<b>MOTOR SHAFT</b>	Stainless steel EN 10088-3 - 1.4104				
6	<b>MECHANICAL SEAL</b>	<i>Seal</i>	<i>Shaft</i>	<i>Materials</i>		
		<i>Model</i>	<i>Diameter</i>	<i>Stationary ring</i>	<i>Rotational ring</i>	<i>Elastomer</i>
		ST1-12E	Ø 12 mm	Silicon carbide	Graphite	EPDM
7	<b>BEARINGS</b>	<i>Pump</i>	<i>Model</i>			
		PV 55-60-65-81	6201 ZZ / 6201 ZZ			
		PV 70-90	6203 ZZ / 6203 ZZ			
8	<b>CAPACITOR</b>	<i>Pump</i>	<i>Capacitance</i>			
		<i>Single-phase</i>	<i>(230 V or 240 V)</i>		<i>(110 V)</i>	
		PVm 55	10 µF - 450 VL		25 µF - 250 VL	
		PVm 60	10 µF - 450 VL		25 µF - 250 VL	
		PVm 65	14 µF - 450 VL		25 µF - 250 VL	
		PVm 70	16 µF - 450 VL		60 µF - 300 VL	
		PVm 81	14 µF - 450 VL		25 µF - 250 VL	
		PVm 90	20 µF - 450 VL		60 µF - 300 VL	
9	<b>ELECTRIC MOTOR</b>	<p><b>PVm:</b> single-phase 230 V - 50 Hz (50/60 Hz for Pvm55) with thermal overload protector incorporated into the winding.</p> <p><b>PV:</b> three-phase 230/400 V - 50 Hz (50/60 Hz for PV55).</p> <p>➔ <b>The three-phase pumps are fitted with high performance motors in class IE2 (IEC 60034-30)</b></p> <ul style="list-style-type: none"> <li>- Insulation: class F</li> <li>- Protection: IP X4</li> </ul>				



## DIMENSIONS AND WEIGHT



MODEL		PORTS		DIMENSIONS mm												kg			
Single-phase	Three-phase	DN1	DN2	a	f	h	h1	h2	h3	i	m	n	n1	w	s	1~	3~		
PVm 55	PV 55	¼"	¼"	11	188	145	56	40	96	25	55	118	93-100	63	7	4.5	4.5		
PVm 60	PV 60	½"	½"	24	221	152	63	62	125	35	80	120	100	60		5.5	5.5		
PVm 81	PV 81			26	228			65	128					78		5.8	5.5		
PVm 65	PV 65	¾"	¾"	25	266	180	71	66	129	45	90	134	112	61		5.8	5.5		
PVm 70	PV 70			24					263					137		71	69	9.0	9.0
PVm 90	PV 90			24					263					137		71	69	8.9	8.9

## ABSORPTION

MODEL	VOLTAGE		
<b>Single-phase</b>	230 V	240 V	110 V
PVm 55 (50 Hz)	1.6 A	1.5 A	4.0 A
PVm 55 (60 Hz)	2.0 A	1.9 A	4.0 A
PVm 60	2.8 A	2.7 A	5.6 A
PVm 65	4.2 A	4.0 A	8.4 A
PVm 70	6.2 A	6.0 A	12.4 A
PVm 81	3.0 A	2.9 A	6.0 A
PVm 90	5.6 A	5.4 A	11.2 A

MODEL	VOLTAGE			
<b>Three-phase</b>	230 V	400 V	240 V	415 V
PV 55 (50/60 Hz)	1.7 A	1.0 A	1.6 A	0.9 A
PV 60	1.9 A	1.1 A	1.8 A	1.0 A
PV 65	2.6 A	1.5 A	2.5 A	1.4 A
PV 70	4.2 A	2.4 A	4.0 A	2.3 A
PV 81	1.9 A	1.1 A	1.8 A	1.0 A
PV 90	4.2 A	2.4 A	4.0 A	2.3 A