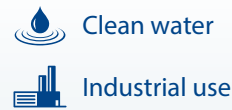


PQ 3000

Pump with peripheral impeller



PERFORMANCE RANGE

- Flow rate up to **50 l/min** (3 m³/h)
- Head up to **180 m**

APPLICATION LIMITS

- Manometric suction lift up to **8 m**
- Liquid temperature between **-10 °C** and **+90 °C**
- Ambient temperature between **-10 °C** and **+40 °C**
- Max. working pressure **18 bar**
- Continuous service **S1**

CONSTRUCTION AND SAFETY STANDARDS

EN 60335-1
IEC 60335-1
CEI 61-150

EN 60034-1
IEC 60034-1
CEI 2-3



CERTIFICATIONS

Company with management system certified DNV
ISO 9001: QUALITY
ISO 14001: ENVIRONMENT AND SAFETY



INSTALLATION AND USE

Suitable for use with clean water and with liquids that are not chemically aggressive towards the materials from which the pump is made. The hydraulic characteristics of this pump make it suitable for use in industrial applications.

The pump should be installed in an enclosed environment or sheltered from inclement weather.

PATENTS - TRADE MARKS - MODELS

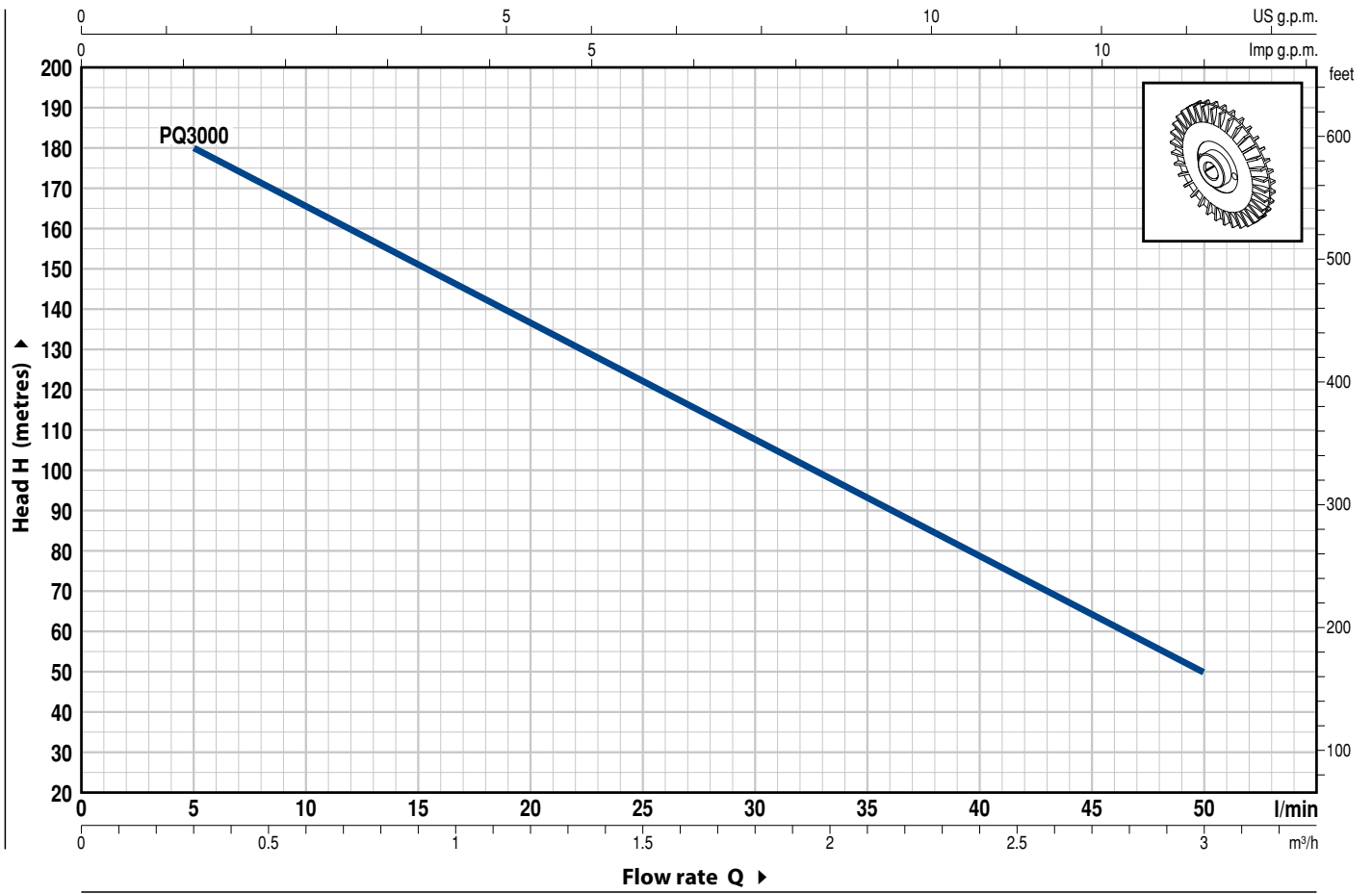
- Patent Pending n. 102015000012230
- Registered EU Design n. 002714469

OPTIONS AVAILABLE ON REQUEST

- Special mechanical seal
- EN 10088-3 - 1.4401 (AISI 316) stainless steel pump shaft
- Other voltages or 60 Hz frequency

CHARACTERISTIC CURVES AND PERFORMANCE DATA

50 Hz n= 2900 rpm HS= 0 m



MODEL	POWER (P ₂)		Q	0.3	0.6	0.9	1.2	1.5	1.8	2.1	2.4	2.7	3.0
	kW	HP		5	10	15	20	25	30	35	40	45	50
PQ 3000	2.2	3	H metres	180	165	151	136.5	122	107.5	93	78.5	64	50

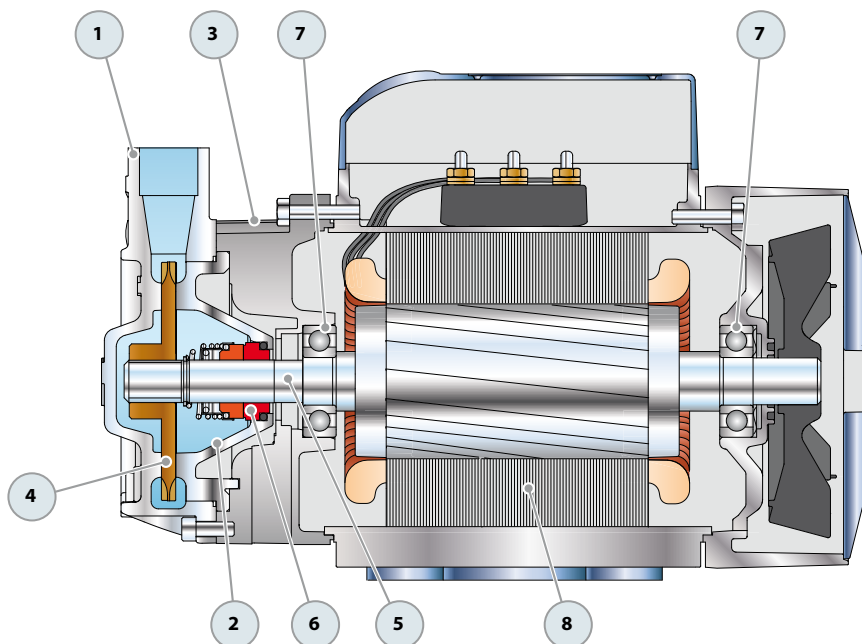
Q = Flow rate H = Total manometric head HS = Suction height

Tolerance of characteristic curves in compliance with EN ISO 9906 Grade 3B.

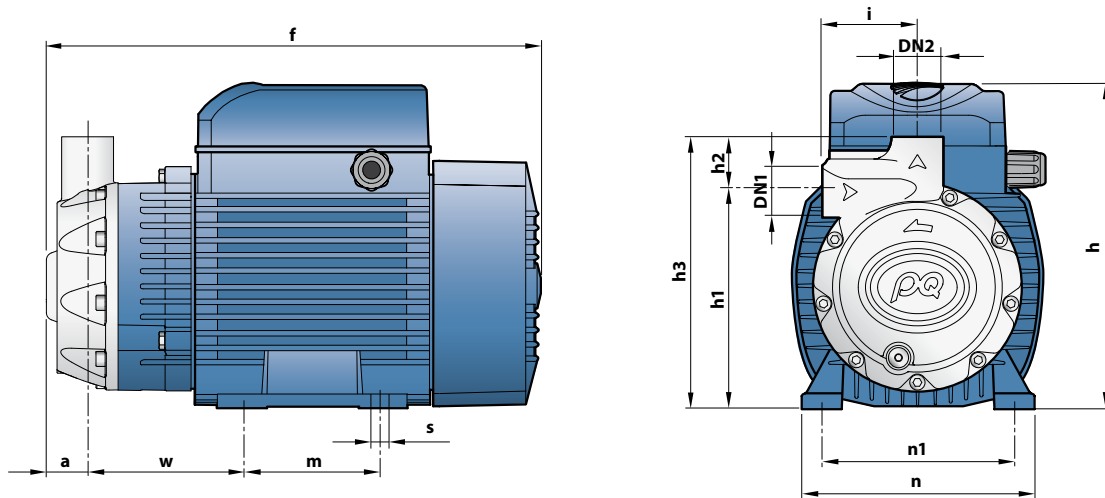
PQ 3000

POS. COMPONENT CONSTRUCTION CHARACTERISTICS

1	PUMP BODY	Stainless steel AISI 316 complete with threaded ports in compliance with ISO 228/1			
2	PUMP BODY BACK PLATE	Stainless steel AISI 316			
3	MOTOR BRACKET	Aluminium			
4	IMPELLER	Bronze with peripheral radial vanes			
5	MOTOR SHAFT	Stainless steel EN 10088-3 - 1.4104			
6	MECHANICAL SEAL	Seal	Shaft	Materials	
		<i>Model</i>	<i>Diameter</i>	<i>Stationary ring</i>	<i>Rotational ring</i>
		FN-18 NU	Ø 18 mm	Graphite	Ceramic
					<i>Elastomer</i>
					NBR
7	BEARINGS	6204 ZZ - C3 / 6204 ZZ - C3			
8	ELECTRIC MOTOR	PQ 3000: three-phase 230/400 V - 50 Hz. ⇒ The pump is fitted with a high performance motor in class IE3 (IEC 60034-30) – Insulation: class H – Protection: IP X5			



DIMENSIONS AND WEIGHT



MODEL	PORTS		DIMENSIONS mm												kg
	DN1	DN2	a	f	h	h1	h2	h3	i	m	n	n1	w	s	
PQ 3000	3/4"	3/4"	28	324	212	142	36	178	62	100	164	125	97	9	17.2

ABSORPTION

MODEL	VOLTAGE			
	230 V	400 V	240 V	415 V
PQ 3000	12.1 A	7.0 A	11.6 A	6.7 A